

The Anderson County Review



*Probitas,
virtus, integritas
in summa.*

— ONE MEASLY U.S. DOLLAR —
February 16, 2021
SINCE 1865 155th Year, No. 10

The official newspaper of record for Anderson County, KS, and its communities.

www.garnett-ks.com | (785) 448-3121 | review@garnett-ks.com

E-statements & Internet Banking



GSSB

Member FDIC Since 1899

(785) 448-3111

Natural gas price spike blows city budget

Exploding prices, frigid temps mean \$1.5 million hit to coffers in February alone

BY DANE HICKS THE ANDERSON COUNTY REVIEW

GARNETT – City officials were reeling over the weekend from a spike in the price of natural gas tied to the frigid temperatures that broadsided U.S. demand for gas and left cities across

the middle of the country encouraging customers to conserve as much as possible during what's thought to be the most extended cold snap since 1979.

An overwhelming demand for natural gas across the midwest and mountain states and apparent mechanical problems at wells that dropped production resulted in unprecedented price hikes to the city's gas supplier Kansas Municipal Gas Agency, which also supplies 48 other member cities.

Garnett City Manager Chris Weiner said prices exploded from some \$3 per unit a week ago to over \$300 per unit over the weekend. Prices at some energy monitoring websites showed prices going to \$500 per unit in some places.

Weiner said the price shock won't affect local customers directly for this month because city gas rates are set by city ordinance, but that could change.

"At this point, the price hike on natural gas will not impact our customers monthly bills for this month," Weiner told the Review yesterday. "Our rate is set by law at a flat \$8.00 per MMBtu. While our cost has grown exponentially up to over \$300 per MMBtu, our customers will not have to absorb any of those costs this month."

But Weiner said some rate increase might be necessary, because the impact of the price spike had hit the

city to tune of \$1.5 million in February alone – about the amount budgeted for city gas purchases for the remainder of 2021.

Weiner said the Garnett Recreation Center would be available to anyone who encountered furnace or heating problems during the dangerous weather. The building is not staffed 24/7, but Weiner said residents could call the county dispatch center at (785)

SEE GAS ON PAGE 1B



THE ANDERSON COUNTY REVIEW 2-16-2021 / DANE HICKS

Cars lined up at the Covid-19 vaccination station in Garnett on Wednesday, as officials gave the first publicly-available shots to county residents 75 and older. Workers gave about 180 vaccinations which will require a follow up shot in several weeks.

City, county commissions counter-offer eco devo exec in debate over pay

Joint meeting lays out offer that splits request for this year, looks to '22

BY DANE HICKS THE ANDERSON COUNTY REVIEW

GARNETT – Garnett and Anderson County Commissioners made a salary counter offer last week they hoped would retain the county's economic development director, but the offer may be too little too late to keep the department as is.

Commissioners offered half the requested raise to Anderson County Development Agency Executive Director Julie Turnipseed for this year with plans to make the full amount

next year, after a joint meeting that brought up debates about adherence to budget policy and the ever-debatable question of successful economic development.

City manager Chris Weiner however told the Review Monday he thought it was unlikely Turnipseed would accept the offer. Turnipseed did not return an email from the Review for a statement on Monday.

Turnipseed received a \$1,900 cost of living raise January 1 of this year, but subsequently

requested an additional \$16,000 increase which was endorsed by the ACDA committee in their request to government officials. The City of Garnett and Anderson County jointly fund the ACDA budget. The topic was the primary focus of a joint city/county meeting set Friday for that discussion after the topic was broached with the individual entities in recent weeks.

Garnet Mayor Jody Cole initially made a motion to award Turnipseed her requested raise and was seconded by city commissioner Cody Gettler, but that vote failed 4-2. The counter offer vote eventually passed, committing each government entity to an

SEE PAY ON PAGE 2A



Turnipseed

Florida water plant hack prompts local questions

BY DANE HICKS THE ANDERSON COUNTY REVIEW

GARNETT – The city's vintage water treatment plant isn't highly susceptible to a computer hack like the one that targeted a wastewater plant in Olsmar, Fla., last week, but the new plant under development in Garnett will use more tech-related operations.

Garnett City Manager Chris Weiner told a joint meeting of the city and Anderson County Commissioners last week the cyber attack that temporarily overloaded the Florida plant with sodium hydroxide Feb. 5 wasn't a concern presently in Garnett, since the plant doesn't use software interfaces in its operation.

"We are still susceptible to a lesser degree as we have an

internet connection," Weiner said, "however, the SCADA system, which is the monitoring and adjustment brain of the system is not nearly as automated – or web-connected – as most are, which reduces our risk."

But with more capability in the new plant come more risks, he said.

"Our new plant will have all of these automation features which while incredibly useful, will require more robust security measures," Weiner said some of that security will be provided by software providers, but some will be the responsibility of city water department staff.

An operator at the Florida plant caught the attack in process and rectified it, according to

media reports. Sodium hydroxide is used in drain cleaners and in small doses to help remove metals from water in the treatment process. The plant apparently used an outdated Windows application with easy-to-hack password protection on part of the system.

Weiner told commissioners the new plant would use advanced technology in its operations and would allow operators to make adjustments by phone apps or home computers. He said priorities included ensuring computers and devices that are accessing the plant's SCADA system remotely are up-to-date with their software versions/patches, using more strict verification measures such as two-factor authentication with

SEE PLANT ON PAGE 2A

Legislature to consider bill to keep biological men out of women's sports

Local coaches mum, but former ACHS, KU athlete says bill is important step

BY DANE HICKS THE ANDERSON COUNTY REVIEW

TOPEKA – Kansas legislators will begin a review of a bill introduced by a state senator from Sedgwick County aimed at blunting what some see as President Biden's support for transgender men who identify as female to compete in high school and college women's sports.

The concern over Biden's language in the Executive Order on Preventing and Combating Discrimination on the Basis of Gender Identity or Sexual Orientation, signed January 20 amid a flurry of other executive orders since he took office, has

resulted in numerous state legislative efforts aimed at ensuring competitions in high schools and colleges remain sexually segregated. Among the anti-discrimination language in Biden's order is the sentence "Children should be able to learn without worrying about whether they will be denied access to the restroom, the locker room, or school sports."

Coaches of women's team sports at Anderson County Junior-Senior High School, Crest and Central Heights did not respond to an email from the Review last week seeking comment on the bill. But a former KU athlete with ties to USD 365 says states need to adopt their own measure to head off what's basically an invasion of women's sports.

"I'm glad to see Kansas take that step," said Callie Hicks, who com-

peted in cross country at ACHS as a freshman before winning the women's 6A state pole vault championship in 2015 and 2016 as a Lawrence Free State Firebird and vaulting three years at the University of Kansas. She said the alternative could be the decimation of some women's sporting events because women wouldn't go out for some sports if they have to compete against biological men.

"Who wants to compete for 4th or 5th place?" Hicks said.

Idaho last summer was the first state to adopt similar legislation. Senator Rene Erickson from the 30th District introduced the "Kansas Fairness in Women's Sports Act" Tuesday through the senate committee on Federal and State Affairs. The bill lays out defi-

SEE BILL ON PAGE 5A



THE ANDERSON COUNTY REVIEW 2-16-2021 / PHOTO SUBMITTED

Norma Rockers' 6th grade class at St. Rose Elementary in Garnett produced the most ad designs in this week's Creative Writing and Advertising Design Contest sponsored annually by The Anderson County Review. The class won a pizza party as top prize. Front from left: Mrs. Rockers, Rylee Hill, Rayna Kuhlman, Maci Keith, Sienna Partida. Second row: Miles Poe, Lydia Foltz, Wyatt Whitham, Owen Rockers. Third row: Avery Stout, Luke Steinke, Christopher Barnett. Top row: Dylan Hoffman, Emily Sobba, Xavier Carver. Today's contest section starts on Page 2B.



7 98304 21946 3

An optimist believes that we live in the best world. A pessimist is afraid that it might be true.

NEWS IN BRIEF

CENTRAL HEIGHTS HOMECOMING

Due to the extreme cold weather, Central Heights will hold its Queen of Courts coronation on Thursday, February 18, at halftime of the boy's game. The boys play at 5:00 p.m. vs. Mission Valley.

BINGO CANCELLED

Due to the predicted severe cold weather, Garnett American Legion Post #48 Bingo is cancelled for Tuesday, February 16. Bingo will resume the following Tuesday, February 23, at 6:30 p.m.

VFW BREAKFAST

VFW Post 6397 breakfast will be Sunday, February 21 from 9 a.m. - 1 p.m. Biscuits and gravy, Belgian waffles, bacon, sausage & eggs will be served.

SUICIDE AWARENESS GROUP MEETINGS SET

SAM - Suicide Awareness Members, a division of SASS-MoKan - meets on the first Tuesday of the month from 6:30-7:30 at the First Christian Church Annex, 200 S. Walnut, in Garnett. The facilitator is Lu Ann Nichols, who may be reached at lu.ann.nichols.1956@gmail.com.

KS-VINE AVAILABLE

Kansas VINE: Kansas VINE is free and anonymous and provides victims of crime and the general public the ability to search for an offender housed in a county jail and receive notifications.

PAY...

FROM PAGE 1

City manager Chris Weiner characterized Turnipseed's salary request as a market adjustment to a level commensurate with what professionals in her position earn, considering her salary was on the low end at her hiring during the city and county's first foray into funding a fulltime economic development director when she was hired two years ago.

Commissioners debated the request based on their annual budgeting for 2021 having concluded in August/September of 2020, and the fact that Turnipseed participated in her department's budget exercise at the time. City commissioner Greg Gwin said Turnipseed was remiss in not making the request during that budget cycle, and couldn't agree with the mindset that government should just throw money at the problem and hand the bill to the taxpayers.

First District Commissioner Les McGhee, who sits on the ACDA board, addressed criticisms that Turnipseed had recruited no new employers or industries, saying those pay-offs took time to accomplish and that the past year's pandemic had presented a unique challenge.

"Can we hold up a yard stick and tell what she's done? No - not yet," McGhee said. "As far as the effort that's been put into it, there's been a lot of effort put into it."

McGhee said the counter offer was a good faith effort to recognize Turnipseed's value and balance it against overall budget issues.

"In light of having already set our budgets, gosh, we're trying," McGhee said. "We do not want to lose her."

Make it grow!

Your wallet that is. Ag products and services sell when they're listed here. Call the Review today to place your ad. (785) 448-3121

USD No. 365 BOE Minutes

Regular meeting held: Thursday, February 4, 2021, 7:00 p.m., Ray Meyer Gym Board Room.

Members present: Gaylene Comfort (President, presiding), Gary Teel, Gina Witherspoon, Nicci Denny and Sonya Martin. Michael Richards and Brian Schafer were absent.

Staff present: Donald Blome (Superintendent), Paula Wallace (Clerk), Matt Self (Principal-ACJSHS), Stacey Hedges (Curriculum Director).

Others present: Dylan Cole, Jodi Cole, Craig Cole

Call to order: 7:00 p.m. by Comfort.

Recognitions: Dylan Cole was recognized for being selected for the College Board National Rural and Small Town Recognition Program for excellence in academic achievement by scoring in the top 2.5% in the nation on the PSAT/NMSQT Test. Dylan has also been named a National Merit Semifinalist and is competing to be named a Finalist. Dylan has also been selected by ACJSHS as a Governor's Scholar for his 4.0 and a 35 ACT score.

Public Communications:

Ordering and approval of agenda: Motion to approve the agenda. Teel, Witherspoon, passed 5-0.

Reports & Communications:

Curriculum Director Report
Budget Summary
COVID Update

Consent Agenda:

Motion to approve the consent agenda. Martin, Denny, passed 5-0.

Approved minutes of January 7, 2021 regular meeting.

Approved claims totaling \$1,001,138.92.

Approved monthly treasurer's report.

Approved school activity fund statements.

Approved credit card statements. Budget transfers.

Action Item

Motion to approve resolution 20-21-18 as presented. Teel, Witherspoon, passed 5-0.

Motion to approve resolution 20-21-19 as presented. Teel, Martin, passed 5-0.

Motion to approve the gift of \$175 in memory of Violet Brownrigg and that funds from the gift be designated for the purchase of children's books for the Garnett Elementary School Library. Witherspoon, Martin, passed 5-0.

LAND TRANSFERS

Richard L Rommelfanger and Doris J Rommelfanger to John C Bowman Jr and Margaret E Bowman: Lots 5 & 6 blk 48 City of Greeley.

Luke S Decker and Lauren Decker to Luke S Decker and Lauren Decker: S2 sw4 se4 se4 21-22-19.

Ronald G Young to Deborah D Doherty: Lots 900, 902 & 904 blk 33 of what was formerly known as Orchard Park Addition to City of Garnett, being part of ne4 25-20-19, less all of s2 vacated alley lying between lot 323 in blk 33 in what was formerly Orchard Park Addition to City of Garnett, now vacated, and lots 900, 902 & 904 all in blk 33 in what was formerly Orchard Park Addition to City of Garnett, now vacated, and that part of vacated Garfield Street lying east on a prop-

jection of south line & center line of vacated alley to center line of now vacated Garfield Street, being located in ne4 25-20-19.

Timothy R Jones to XZavior R Thompson: Lot 4 & e2 lot 5 blk 18 City of Garnett.

Timothy R Jones and Tim Jones A/K/A to April A Jones: Beg at swor sw4 33-20-21, thence east 990', thence north 1100', thence west 990', thence south 1100' to pob; containing 25 acres, more or less.

William F Johnson to Angel Lynch-Vanderpool: Lots 1, 2 & 3 blk 15 Town of Harris; & Lots 10, 11 & 12 blk 15 Town of Harris.

Scott W Cooper and Terri B Cooper to Bauman Family Revocable Trust Dated 6-1-2013: Com at necor lot c-3 of Hayden's Lakeview Estates Addition (revised 1977) to City of Garnett, 6-1-2013 thence running south 100', thence west 208', thence north 100', thence east 208' to pob; also a tract com at necor lot c-3 Hayden's Lakeview Estates Addition to City of Garnett, thence running west 208', thence north 130', thence south 52'x45' east 251 feet to pob.

Jeraldine Henry and Mark Henry to Jeffrey Dieker and Tamara Dieker: All that part of se4 nw4 6-23-19 that lies east of line drawn parallel with & 50 feet east of center of main tract of Atchison, Topeka & Santa Fe Railroad less hwy & less that part of se4 nw4 6-23-19, lying east of Atchison, Topeka & Santa Fe Railroad r/w & west of road or hwy formerly Hwy 169 & 59, less road or street called Depot Street; & less north 5.00 acres of tract of land described in warranty deed recorded in book 144 page 280 and being more particularly described as follows: beg at necor se4 nw4 6-23-19, said pt being south 0'x23'01" east (bearing assumed) 1386.07 feet from necor nw4 said section 6, thence continuing south 0'x23'01" east 343.65 feet, thence north 88'x33'47" west 680.46 feet to pt on east r/w of abandoned KCT Railroad and west line of Depot Street, thence along said east line north 14'x48'37" east 353.05 feet to north line of se4 nw4 said section 6, thence south 88'x33'47" east 687.88 feet to pob; said tract corners being monumented with a 12"x24" rebar and plastic and surveyor cap.

Perry Junior Davis to Jeffrey Dieker and Tamara Dieker: All that part of se4 nw4 6-23-19 that lies east of line drawn parallel with & 50 feet east of center of main tract of Atchison, Topeka & Santa Fe Railroad less hwy & less that part of se4 nw4 6-23-19, lying east of Atchison, Topeka & Santa Fe Railroad r/w & west of road or hwy formerly Hwy 169 & 59, less road or street called Depot Street; & less north 5.00 acres of tract of land described in warranty deed recorded in book 144 page 280 and being more particularly described as follows: beg at necor se4 nw4 6-23-19, said pt being south 0'x23'01" east (bearing assumed) 1386.07 feet from necor nw4 said section 6, thence continuing south 0'x23'01" east 343.65 feet, thence north 88'x33'47" west 680.46 feet to pt on east r/w of abandoned KCT Railroad and west line of Depot Street, thence along said east line north 14'x48'37" east 353.05 feet to north line of se4 nw4 said section 6, thence south 88'x33'47" east 687.88 feet to pob; said tract corners being monumented with a 12"x24" rebar and plastic and surveyor cap.

William Jerald Fields and William Gerald Fields A/K/A to Jeffrey Dieker and Tamara Dieker: All that part of se4 nw4 6-23-19 that lies east of line drawn parallel with & 50 feet east of center of main tract of Atchison, Topeka & Santa Fe Railroad less hwy & less that part of se4 nw4 6-23-19, lying east of Atchison, Topeka & Santa Fe Railroad r/w & west of road or hwy formerly Hwy 169 & 59, less road or street called Depot Street; & less north 5.00 acres of tract of land described in warranty deed recorded in book 144 page 280 and being more particularly described as follows: beg at necor se4 nw4 6-23-19, said pt being south 0'x23'01" east (bearing assumed) 1386.07 feet from necor nw4 said section 6, thence continuing south 0'x23'01" east 343.65 feet, thence north 88'x33'47" west 680.46 feet to pt on east r/w of abandoned KCT Railroad and west line of Depot Street, thence along said east line north 14'x48'37" east 353.05 feet to north line of se4 nw4 said section 6, thence south 88'x33'47" east 687.88 feet to pob; said tract corners being monumented with a 12"x24" rebar and plastic and surveyor cap.

William Jerald Fields and William Gerald Fields A/K/A to Jeffrey Dieker and Tamara Dieker: All that part of se4 nw4 6-23-19 that lies east of line drawn parallel with & 50 feet east of center of main tract of Atchison, Topeka & Santa Fe Railroad less hwy & less that part of se4 nw4 6-23-19, lying east of Atchison, Topeka & Santa Fe Railroad r/w & west of road or hwy formerly Hwy 169 & 59, less road or street called Depot Street; & less north 5.00 acres of tract of land described in warranty deed recorded in book 144 page 280 and being more particularly described as follows: beg at necor se4 nw4 6-23-19, said pt being south 0'x23'01" east (bearing assumed) 1386.07 feet from necor nw4 said section 6, thence continuing south 0'x23'01" east 343.65 feet, thence north 88'x33'47" west 680.46 feet to pt on east r/w of abandoned KCT Railroad and west line of Depot Street, thence along said east line north 14'x48'37" east 353.05 feet to north line of se4 nw4 said section 6, thence south 88'x33'47" east 687.88 feet to pob; said tract corners being monumented with a 12"x24" rebar and plastic and surveyor cap.

north line of se4 nw4 said section 6, thence south 88'x33'47" east 687.88 feet to pob; said tract corners being monumented with a 12"x24" rebar and plastic and surveyor cap.

Eddie Alan Davis and Eddie Allen Davis A/K/A to Jeffrey Dieker and Tamara Dieker: All that part of se4 nw4 6-23-19 that lies east of line drawn parallel with & 50 feet east of center of main tract of Atchison, Topeka & Santa Fe Railroad less hwy & less that part of se4 nw4 6-23-19, lying east of Atchison, Topeka & Santa Fe Railroad r/w & west of road or hwy formerly Hwy 169 & 59, less road or street called Depot Street; & less north 5.00 acres of tract of land described in warranty deed recorded in book 144 page 280 and being more particularly described as follows: beg at necor se4 nw4 6-23-19, said pt being south 0'x23'01" east (bearing assumed) 1386.07 feet from necor nw4 said section 6, thence continuing south 0'x23'01" east 343.65 feet, thence north 88'x33'47" west 680.46 feet to pt on east r/w of abandoned KCT Railroad and west line of Depot Street, thence along said east line north 14'x48'37" east 353.05 feet to north line of se4 nw4 said section 6, thence south 88'x33'47" east 687.88 feet to pob; said tract corners being monumented with a 12"x24" rebar and plastic and surveyor cap.

Hugh Robert Davis to Jeffrey Dieker and Tamara Dieker: All that part of se4 nw4 6-23-19 that lies east of line drawn parallel with & 50 feet east of center of main tract of Atchison, Topeka & Santa Fe Railroad less hwy & less that part of se4 nw4 6-23-19, lying east of Atchison, Topeka & Santa Fe Railroad r/w & west of road or hwy formerly Hwy 169 & 59, less road or street called Depot Street; & less north 5.00 acres of tract of land described in warranty deed recorded in book 144 page 280 and being more particularly described as follows: beg at necor se4 nw4 6-23-19, said pt being south 0'x23'01" east (bearing assumed) 1386.07 feet from necor nw4 said section 6, thence continuing south 0'x23'01" east 343.65 feet, thence north 88'x33'47" west 680.46 feet to pt on east r/w of abandoned KCT Railroad and west line of Depot Street, thence along said east line north 14'x48'37" east 353.05 feet to north line of se4 nw4 said section 6, thence south 88'x33'47" east 687.88 feet to pob; said tract corners being monumented with a 12"x24" rebar and plastic and surveyor cap.

William Jerald Fields and William Gerald Fields A/K/A to Jeffrey Dieker and Tamara Dieker: All that part of se4 nw4 6-23-19 that lies east of line drawn parallel with & 50 feet east of center of main tract of Atchison, Topeka & Santa Fe Railroad less hwy & less that part of se4 nw4 6-23-19, lying east of Atchison, Topeka & Santa Fe Railroad r/w & west of road or hwy formerly Hwy 169 & 59, less road or street called Depot Street; & less north 5.00 acres of tract of land described in warranty deed recorded in book 144 page 280 and being more particularly described as follows: beg at necor se4 nw4 6-23-19, said pt being south 0'x23'01" east (bearing assumed) 1386.07 feet from necor nw4 said section 6, thence continuing south 0'x23'01" east 343.65 feet, thence north 88'x33'47" west 680.46 feet to pt on east r/w of abandoned KCT Railroad and west line of Depot Street, thence along said east line north 14'x48'37" east 353.05 feet to north line of se4 nw4 said section 6, thence south 88'x33'47" east 687.88 feet to pob; said tract corners being monumented with a 12"x24" rebar and plastic and surveyor cap.

nw4 said section 6, thence continuing south 0'x23'01" east 343.65 feet, thence north 88'x33'47" west 680.46 feet to pt on east r/w of abandoned KCT Railroad and west line of Depot Street, thence along said east line north 14'x48'37" east 353.05 feet to north line of se4 nw4 said section 6, thence south 88'x33'47" west 680.46 feet to pob; said tract corners being monumented with a 12"x24" rebar and plastic and surveyor cap.

LIMITED ACTION CASES FILED

The Kansas Department of Revenue has filed a State Tax Warrant against Andrew Leabo in the amount of \$1,266.73 for unpaid 2016 Income Taxes.

The Kansas Department of Revenue has filed a State Tax Warrant against Jerry Carey in the amount of \$600.74 for unpaid 2015 Income Taxes.

The Kansas Department of Revenue has filed a State Tax Warrant against Stephanie Hartsell in the amount of \$669.18 for unpaid 2016 Income Taxes.

The Kansas Department of Revenue has filed a State Tax Warrant against David Hiner in the amount of \$537.36 for unpaid 2016 Income Taxes.

The Bureaus Investment Group Portfolio No 15 LLC has filed suit against Mike Kennedy in the amount of \$2,491.65 plus interest and costs for a breach of contract.

ANDERSON COUNTY CRIMINAL CASES FILED

Billy R Lyda has been charged with contributing to a child's misconduct or deprivation and purchase or consumption of alcoholic beverage by a minor.

Cade M Goodman has been charged with driving under the influence - 2nd offense, furnishing alcoholic liquor or cereal malt beverage to a minor and contributing to a child's misconduct or deprivation.

Tyler W. Hoke has been charged with domestic battery.

Aaron K Buehne has been charged with domestic battery and battery.

Kindra S Perry has been charged with disorderly conduct.

Robert D Soulia has been charged with 2 counts of violating a protection order.

Adam L Willard has been charged with battery.

ANDERSON COUNTY TRAFFIC CASES FILED

Kenneth L Reynolds has been charged with driving while suspended, no proof of motor vehicle liability insurance coverage and illegal registration.

Abigail Lynn Rue has been charged with the basic rule of governing speed of vehicle.

Jimmy Lee Swanson has been charged with speeding.

Dustin William O'Connor has been charged with the basic rule of governing speed of vehicle.

Rose Dawn Laviolette has been charged with speeding.

Kyle Wesley Sloan has been charged with speeding.

Hua Tian has been charged with speeding and expired registration.

Samuel Arther Penn IV has been charged with official traffic controller

device and Municipal/County violation; Misdemeanor Class C.

John Evans Harvey has been charged with vehicle liability insurance required.

ANDERSON COUNTY JAIL ROSTER

Brandon Ellsmore was booked into jail on January 12, 2020.

Jacob Joeckel was booked into jail on April 23, 2020.

Maxwell Williams was booked into jail on August 3, 2020.

Nicholas Lunsford was booked into jail on September 6, 2020.

Nicholas Robinson was booked into jail on September 16, 2020.

Jacob Gredanus was booked into jail on September 22, 2020.

Kevin Frazier was booked into jail on September 27, 2020.

Chadley Mueller was booked into jail on September 30, 2020.

Patrick Simmons was booked into jail on October 7, 2020.

Jacob Lubas was booked into jail on October 18, 2020.

Phillip Proctor was booked into jail on November 3, 2020.

Jason Smith was booked into jail on December 8, 2020.

Garry Markley was booked into jail on December 8, 2020.

Barry Weber was booked into jail on December 15, 2020.

Anthony Tomblin was booked into jail on December 16, 2020.

Andrew Bettinger was booked into jail on December 23, 2020.

Caleb Foltz was booked into jail on December 30, 2020.

Joslyn O'Brian was booked into jail on January 12, 2021.

Robert Graf was booked into jail on January 12, 2021.

Daris Wyatt was booked into jail on January 12, 2021.

Breanna Bachman was booked into jail on January 19, 2021.

Ronnie Whitehurst was booked into jail on January 19, 2021.

Nathan Thompson was booked into jail on January 20, 2021.

Darren Dicozeno was booked into jail on January 22, 2021.

Larry Owens was booked into jail on January 25, 2021.

Allen Modlin was booked into jail on January 27, 2021.

Kyle Gregg was booked into jail on January 28, 2021.

ANDERSON COUNTY JAIL FARM-INS ROSTER

Justin Jackson was booked into jail on November 12, 2019.

Jason Long was booked into jail on July 8, 2020.

Dylan Parks was booked into jail on July 25, 2020.

William Cummings was booked into jail on August 21, 2020.

Christopher Conner was booked into jail on August 21, 2020.

Eglebert Unterburger was booked into jail on October 19, 2020.

Cynthia Fortin was booked into jail on October 30, 2020.

Joel Duncan was booked into jail on November 2, 2020.

Justin Nichols was booked into jail on January 14, 2021.

Steven Drake was booked into jail on January 14, 2021.

Rebecca Ritchie was booked into jail on January 17, 2021.

PLANT...

FROM PAGE 1

strong passwords, and making sure staff are properly trained and don't accidentally fall victim to viruses, phishing attacks and the like.

Wedding, Engagement, Anniversary & Birth Announcements • Business News

Send it in...

ONLINE

Go to www.garnett-ks.com and click one of the forms under "Submit News."*

It's quick & easy!

* Photos need to be emailed separately to garnett-ks.com

Ottawa, Kansas

WE'RE READY TO SERVE YOU IN

D&S DOOR
Garage Doors • Openers • Service Calls
(785) 242-4814
Mobile: (785) 229-6694
RESIDENTIAL & COMMERCIAL
The area's first and best!

CARSTAR, Ottawa
Auto Body Repair Experts
402 N. Main • 785-242-8916
Jeff & Lou Baker - Owners
1-800-CARSTAR - 24/7 Accident Assistance.
Relax, we'll take it from here.™

Sutton's Jewelry
MEMBER AMERICAN GEM SOCIETY
East side of historic downtown OTTAWA
785-242-3723

PAINTS PAINT • WALLPAPER
CUSTOM WINDOW BLINDS
CUSTOM FRAMING & SUPPLIES
OTTAWA PAINT
FRAMES & DECOR
Contact Heidi at 785-242-5007 109 S. Main Ottawa, KS

OTTAWA COOP
PO Box 680 Ottawa, KS 66067
(888) 242-5170
www.ottawacoop.com

Fine Senior Living.
701 S. Poplar
Ottawa
785-242-6655
SUNFLOWER
PLAZA TOWER
Property managed by Kay Management Company.

Cornerstone Bookstore
Gigs, Books, Bibles, Cards, Special Orders, and More
202 S. Main, Ottawa • 785-242-2112
Bruce & Joyce Beatty • cornerstonebook@sbcglobal.net

NEOSHO COUNTY COMMUNITY COLLEGE
Day, Night, Weekend, Online
Visit www.neosho.edu

KOFO
1220 AM
Listen to Anderson County Today!
Mon-Fri: 8:00am
Country Favorites

Need help with TAXES?

These area tax preparation services can meet your needs.

PROFESSIONAL TAX PREPARATION
www.taxtimetaxserviceinc.com
Enrolled Agent
Representing Clients Before:
IRS Exam Division
IRS Collection Division
IRS Appeals Division
TAX-TIME TAX SERVICE, INC.
785-448-3056 • 415 S. Oak, Garnett
• Unfiled Returns
• Offers in Compromise
• Liens & Levies
• Innocent Spouse Relief
• Audit Reconsiderations
• Payroll Tax Problems
TAX DEBTS • TAX PROBLEMS

KELLERMAN

MARCH 1, 1935 - FEBRUARY 12, 2021

Edna Kellerman passed away on Feb 12, 2021. Please check Feuerborn Funeral Home's website for possible service information.

How to protect elders from frigid winter weather

Chilling temperatures, ice and snow can be a nuisance, but for older adults, the winter months can be downright dangerous. Use these cold weather tips for seniors to ensure your loved ones stay safe and warm.

7 Winter Weather Tips for Seniors

1. Prevent Hypothermia in Elderly Loved Ones

Generally, seniors and cold weather can be a dangerous mix. A report published by the Centers for Disease Control and Prevention (CDC) shows that older adults have an elevated risk of cold-related death. Those age 75 and older are particularly susceptible to cold weather because they tend to have less body fat, less efficient circulation and a slower metabolism.

2. Encourage Hydration

Seniors are especially prone to dehydration because they tend to eat and drink less than younger people, thus they consume less water. In general, people feel less thirsty during the winter and do not drink as much fluid as they should. Cold, dry air also contributes to moisture loss, so make sure your elderly loved one is drinking consistently.

3. Prepare for Ice and Snow to Minimize Fall Risks

Sidewalks slick with ice and snow pose a serious falling hazard for an elderly person. Make sure that your loved one's porch, driveway, steps, sidewalk, etc. have been thoroughly salted and shoveled. If they are at all unsteady on their feet, it's best to have someone else handle these tasks, like a neighbor or a hired service.

4. Make a Disaster Kit

Winter storms can be fierce enough to knock down power

lines and confine seniors to their homes. It is essential to make sure your loved one is equipped with a disaster kit to help them get through these times. Each kit should include enough nonperishable food and water for several days (at least 3 gallons of water per person per day), a can opener, a few days' worth of any necessary medication, a flashlight, a battery-powered radio, extra batteries, and first-aid essentials.

5. Be Smart About Space Heaters

While these devices can provide much-needed warmth during the colder months, precautions must be taken so these sources of heat don't become health hazards. If a senior uses a gas-powered heater or generator, make sure there is at least one functional carbon monoxide detector in their home. If they use electric heaters, inspect all power cords for fraying and get rid of any damaged devices.

6. Bundle Up

Mittens, scarves, sweaters, hats and coats are a few must-have articles of clothing for seniors living in colder climates. Even when an elderly person is indoors, they should be dressed in warm, comfortable layers so they can easily take items off if they're too hot or put more on if they are too cold.

Use Electric Blankets With Caution

Electric blankets can keep seniors toasty, but they must be used very carefully to avoid burns, electric shocks and even fires. Any electric blankets or mattress pads that are more than a few years old may need to be replaced.

Colony Christian Church - "Kingdom Victory"

Howard Reiter gave the Communion Meditation over "Beginning Again". In the 1929 Rose Bowl, Roy Riegels of UC Berkeley got the ball and ran it 69 yards in the wrong direction! Then got tackled by his own player. He was dubbed "Wrong Way Riegels" after that. His coach told him, "Roy, get up and go back out there — the game is only half over." Our failures don't define us. Others may not see changes in us, but God does. If we confess our sins and seek redemption thru Christ, we are no longer defined by our past. It's never too late to start again. (Ref: Colossians 1:14)

Pastor Chase Riebel gave the sermon "Kingdom Victory". Just like the disciples, we all long to see God's Kingdom, and we are tired of the enemy's intrusion into our lives. But when will the Kingdom come? No one knows the day or time, but it will be unmistakable. When Jesus comes back, you won't be able to look away, or turn your back, or reject exactly who he is. You will either be for him or against him. But in the meantime, pledge your allegiance to Jesus and become one of his ambassadors. We have so many resources at our fingertips to help us. Most important is his Holy Word, the Bible; but we also have apps for our phones and tablets, our church family, the Holy Spirit to keep

us connected, etc. The Kingdom of Jesus is not just of this earth, the here and now, but an eternal Kingdom. He gives us the example of how to live a holy life while we wait, how to walk in righteousness, and how to shine his light in the darkness for others to see. To build the Kingdom for him, we must surrender our will to his thru the indwelling of the Holy Spirit. We don't know when he'll come back to claim those that belong to him, but be ready! There is Kingdom work to be done! Hear this and all our sermons using your favorite podcast, on our Facebook page, or on our website at <http://www.colonychristianchurch.org>. (Ref: Luke 17:20-25 & 11:2; Revelation 20:15, 21:7 & 22:12; Matthew 3:2, 25:23, 28:18-20; 1 Peter 5:4; Hebrews 11:1; Ephesians 2:10)

Men's Bible study, Tuesday mornings at 7:00 in the church basement. Women's Bible study, Tuesday mornings at 9:00 at the parsonage. The Mary & Martha's life group, Tuesday evenings at 6:00. MomStrong life group, Saturday mornings at 9:00. Men on Fire life group will be the 2nd Friday of the month. Good News for grade school kids, Wednesdays at 3:00 pm at the Community Church. Meal Wednesdays at 5:30 pm, Adult Bible study following the meal at 7:00 in the parsonage, with the youth group at 7:00 in the church.

A memory with a lesson

It's Mid-February and we are locked into a cold spell that appears will last another week or so, not unlike another time I remember well. There are days in our life that will never be forgotten. One such day has been bouncing in and out of my thoughts. Here is the story over the many years that have passed and the lesson I learned.

It was January 8, 1964 cold and snowy just like today. This was my thirteenth birthday and as I made my way to the mail box I was remembering my previous birthdays, full of joy with cards containing cash and really good messages. I was not ready for what happened next. I opened the box and nothing for me. This was odd, not everyone could have forgotten. I went on up to the house and as the evening wore on I waited for some explanation. As time passed my aunts and uncles began to call and wish me happy birthday. Then I began to realize what was going on. I was facing adulthood square on. I think what hurt the most was the loss of that personal touch and those few words of encouragement provided on the card. This year on my birthday, that day of fifty some years ago came back to me clear as a bell.

All of my relatives have since passed on from this world and I remember them with fondness. That day began a process that remains a work in process to this day. Perhaps the Apostle Paul said it best. "When I was a child I talked like a child, I thought as a child, I reasoned like a child. When I became a man,

WEEKLY DEVOTIONAL



BY DAVID BILDERBACK

I put childish ways behind me." (1st Cor. 13:11) As I have lived the ebb and flow of life I have realized success and failure at putting childish things behind me. As adults when we act in childish ways, criticizing one another, being jealous, holding grudges and on and on we are lapsing into childhood. The difference is as children we had this amazing God given ability to forgive each other that we now seem to lack as adults. What is worse people who have even a shred of this ability left are often seen as weak and that irritates society in general.

Jesus had much to say about forgiveness. In the Sermon on the Mount Jesus says. "For if you forgive men when they sin against you, your heavenly will forgive you. But if you do not forgive men their sins, your Father will not forgive your sins." (Mat. 6:14-15) If you want to measure your growth as an adult this is the best measuring rod you will find. Think about it.

Ministry on the Holiness of God. Author of the book, "On the Other Side of the Door" Like David Bilderback on Facebook

Obituary Charges/Policy

Full obituaries are published as submitted in the Review at the rate of 15¢ per word and include a photo at no charge.

Death notices are published free and include name, date of birth and death, name of parents, spouse and service information. A photo may be added to a death notice for a \$10 fee.

Obituaries, jpeg photos and death notices may be emailed to review@garnett-ks.com with a phone number for confirmation.

Payment may be arranged through your funeral home or directly with The Review. We accept all major credit cards.

Questions? Call (785) 448-3121.



Iola Location:
202 S. State St.
Iola, KS 66749
620-363-5005

Emporia Location:
1 S Commercial St.
Emporia, KS 66801
620-342-5573

Ottawa Location:
233 W 23rd St.
Ottawa, KS 66067
785-229-0684

Anderson County Area Religious Services Directory

BECKMAN MOTORS
North Hwy. 59 in Garnett, KS • (785) 448-5441

BUICK
www.beckmanmotorsinc.com

The Anderson County **Review**

GARNETT PUBLISHING, INC
112 W. SIXTH AVE., GARNETT
(785) 448-3121

www.leroycoop.coop

LeRoy Coop
LeRoy Toll Free 1-888-964-2225
Westphalia Tire Shop Toll Free 1-888-964-2288
Westphalia Tire Shop Toll Free 1-877-489-2521
Westphalia Tire Shop (785) 489-2216
Gridley Toll Free 1-877-836-2860

MORNINGSTAR CARE HOMES
REAL CARE. REAL HOMES.

785-594-2603
morningstarcarehomes.com

THE TRADING POST

25,000 customers read us EVERY WEEK just for your ads!

(785) 842-6440 • (800) 683-4505
ads@tradingpostdeals.com

KOFO 1220AM

Anderson County News
Mon - Fri 8:00am

Country Favorites

Your only locally-owned bank.

Patriots Bank

131 E. 4th Ave • PO Box 327 • Garnett, KS
(785) 448-3191

TRINITY BAPTIST CHURCH
Sunday Fellowship Time 9:30am
Sunday Service 10:30am
Wednesday 7pm
East 6th & Hwy 169, Garnett, KS
Pastor - Joshua Ford (785) 304-6581

CHURCH OF THE NAZARENE
Sunday Connect Groups 9 am
Sunday Worship Service 10:00am
Sunday Kids Service 10 am
Online Service 10am
Wednesday Bible Study 7pm
258 W. Park Road, Garnett, Ks.
(785) 448-3208
Senior Pastor - Jonathan Hall
Childrens' Pastor -Sarah Priddy
Jordan Dages - Teen Ministries

TRINITY LUTHERAN CHURCH
Sunday School 9am
Sunday Worship 10am
Bible Study - Wednesday 7pm
(785) 448-6930
Hwy 31 & Grant, Garnett, KS

KINCAID SELMA UNITED METHODIST CHURCH
Worship 9am
Sunday School 10:15 a.m.
709 E. 5th St., Kincaid, KS
Pastor - Bill Nelson
Church Office (620) 439-5773

ST. TERESE CATHOLIC CHURCH
Worship Service Saturday 5pm
Richmond, KS
Fr. Gerald Williams
(785) 835-6273

NORTHCOTT CHURCH
Sunday Morning Bible Study 9am
Sunday Worship 10am
12425 SW Barton Rd., Colony, KS 66015
(620) 228-9324

FIRST BAPTIST CHURCH
Sunday School 9:30am, Morning Svc. 10:30am
Evening Svc. 6pm
Wed. evening prayer time 6:30pm
Transportation - Call before 8:30
(785) 448-5749
417 South Walnut, Garnett, KS
Reverend Redo Purnell, Sr.

BEACON OF TRUTH
Sunday Worship Service 10:00am
Hwy 59 & Allen Rd., Richmond, KS
(785) 229-5172
Pastor - Reuben Esh

ST. JOHNS CATHOLIC CHURCH
Mass Sunday 8am
Greeley, KS
(785) 448-3846
Pastor Fr. Daniel Stover

COLONY CHRISTIAN CHURCH
Cross Training 9:45am
Sunday Worship 10:45am
306 Maple, Colony, KS 66015
(620) 852-3200
Pastor - Chase Riebel

FIRST CHRISTIAN CHURCH
www.fccgarnett.org
Early Worship 8am
Sunday School (All Ages) 9:15am
Second Worship Service 10:30am
Children's Church 10am
Nursery Provided
Second & Walnut, Garnett, KS
(785) 448-3452
Chris Goetz, Pastor
Ryan McDonald, Youth Pastor

COLONY COMMUNITY CHURCH
Sunday Worship 9:30am
Sunday School 10:30am
Risen & Rockin' Sunday School Service 10:35am
(620) 852-3237
Colony, KS 66015
Pastor - Steve Bubna

FIRST BAPTIST CHURCH KINCAID
Sunday School 9:30am
Church 10:45am, Eve Worship 7pm
Wednesday Bible Study 7pm
3rd & Osage, Kincaid, KS
(620) 439-5311
Pastor - David Hill

UNITED METHODIST CHURCH
Sunday School 9:15 a.m.
Sunday Worship 10:30am
Bible Study Wed. 10am
Chancel Choir Sun 9am
(785) 448-6833
2nd & Oak, Garnett, KS

UNITED METHODIST CHURCH
Sunday School (All Ages) 10:00 am
Sunday Morning Worship 11:00am
116 N. Kalkoff, Richmond, KS
(785) 835-6235

WELDA UNITED METHODIST CHURCH
Sunday Church School 9:45am
Church Services & Children's Church 11am
Nursery Available
(785) 448-2358
Welda, KS
Pastor - Bill Nelson

MONT IDA CHURCH OF THE BROTHERS
Sunday School 9:30am
Church 10:40am
(785) 448-3947
1300 & Broomall Rd, Welda, KS 66091
Garnett - 7th St, W 7 miles, S 3 miles

Pastor - Vernon Yoder

KINGDOM HALL OF JEHOVAH'S WITNESS-ES
Sunday Public Meeting 10am
Sunday Watchtower Study 10:50am
Tuesday Ministry School 7:30pm
Tuesday Service Meeting 8:20pm
Thursday Congregation Book Study 8pm
704 Westgate - Garnett, KS
(785) 448-6755

HOLY ANGELS CATHOLIC CHURCH
Mass: Saturday 5:30pm, Sunday 10am
(785) 448-3846
514 E. 4th, Garnett, KS
Pastor Fr. Daniel Stover

ST. BONIFACE CATHOLIC CHURCH
Sunday Worship 9am
(785) 835-6273
Scipio, KS
Fr. Gerald Williams

ST. TERESE CATHOLIC CHURCH
Westphalia, KS
Mass: Sunday 8am
Fr. John Samineni
(620) 364-2416

NEW LIFE BAPTIST CHURCH
Sunday School 10am
Sunday Worship 11am, 1:30pm
705 S. Westgate (end of 7th St.)
Garnett, KS
(785) 204-1769
Pastor - Chadd Lemaster

ST. PATRICK'S CATHOLIC CHURCH
Emerald (Hwy 31 West of Harris, KS)
Mass: Saturday 4:30pm
Fr. John Samineni
(620) 364-5671

COLONY UNITED METHODIST CHURCH
Church Services 9:30am
Colony, KS
Parsonage (620) 852-3103
Church Office (620) 852-3106
Pastor - Dorothy Welch

TRUE HOPE COMMUNITY CHURCH
Worship Gathering Sunday 6:30pm
1020 S. Westgate Rd.
Garnett, KS
(785) 409-3595
truehopecommunitychurch@gmail.com
Pastor - Tony Thornton

LIVING WATERS BIBLE TEMPLE
Sunday School 10am
Sunday Service 11am
305 E. 2nd
Garnett, KS
(785) 304-9032

DODD'S REEBLE MEMORIALS MONUMENTS

OTTAWA - IOLA EMPORIA - HOME
785-242-3350
FIND US IN NAMES & NUMBERS

THE TRADING POST

25,000 customers read us EVERY WEEK just for your ads!

(785) 842-6440 • (800) 683-4505
ads@tradingpostdeals.com

KOFO 1220AM

Anderson County News
Mon - Fri 8:00am

Country Favorites

Wilson Chiropractic Clinic
Lynn A. Wilson D.C., P.A.

Treatment For Your Back & Joint Pain
Sports, Auto and Work Injury Care

414 W. First • Garnett
(785) 448-6151

Advertise here.

Call (785) 448-3121

SONIC

Hwy 59 in Garnett, KS
(785) 448-6393 or (785) 448-6494
Call-ins Welcome!

Serving The Area Since 1999

GSSB FDIC

Garnett • Colony • Hepler • Ottawa • Pomona • St. Paul • Walnut

Protect women's sports with law

It is woke culture presenting itself not as a serious social issue but more like an old Jerry Seinfeld episode of "bizarro world," - this idea that men have some right to compete in women's sports because they want the world to see them as women.

Actually it's not about sexuality at all. For the new woke world bullies, it's about power.

But states with basic gumption - not to mention a commitment to women and the concept of fair competition - are putting a stop to such nonsense, like the Kansas Legislature's upcoming consideration of a bill that would make it illegal for a biological man to compete in any women's sports at the high school or college level in the Sunflower State.

Lawmakers should make this bill into law, and they should do so post haste.

It's hard to imagine reasoning for such a garish injustice in places like Connecticut, which have assailed women's sports with such an overpowering invasion of clandestine 'Y' chromosome. The extremist liberals now pushing for the sublimation of straight culture in favor of blanket acceptance of all manner of alt-sexuality used to be, in their former not-quite-so hyper woke days, fierce advocates for women's rights. The rabid effort among these types to force the world to embrace alt-sex lifestyles through the co-opting of media, culture and entertainment has finally turned its guns on those whose claims for equity were wholly legitimate.

Now, those same women and their daughters are under attack by a Frankenstein alt-sex culture which shames them as bigots and gender-phobes for the audacity of seeking to preserve a competitive strata that allows them to succeed within clearly defined categories of biological science.

It is indeed science, not bias or hatefulness, that separates women and men and their degrees of competition. The simple facts that have sufficed as explanation for thousands of years of human culture must apparently now be revisited for the benefit of modern woke-oids: Women are women; men are not.

And not just physically - with differences in size, weight, muscle and tendon strength, flexibility and other finite comparisons. Research from Stanford School of Medicine reveals a host of behavioral differences as well that predate hormone therapies but which play into psychological aspects of competition. Stanford's "Sex, Gender & Medicine" from 2017 illustrates that "women excel in several measures of verbal ability - pretty much all of them, except for

REVIEW COMMENTARY



DANE HICKS, Publisher

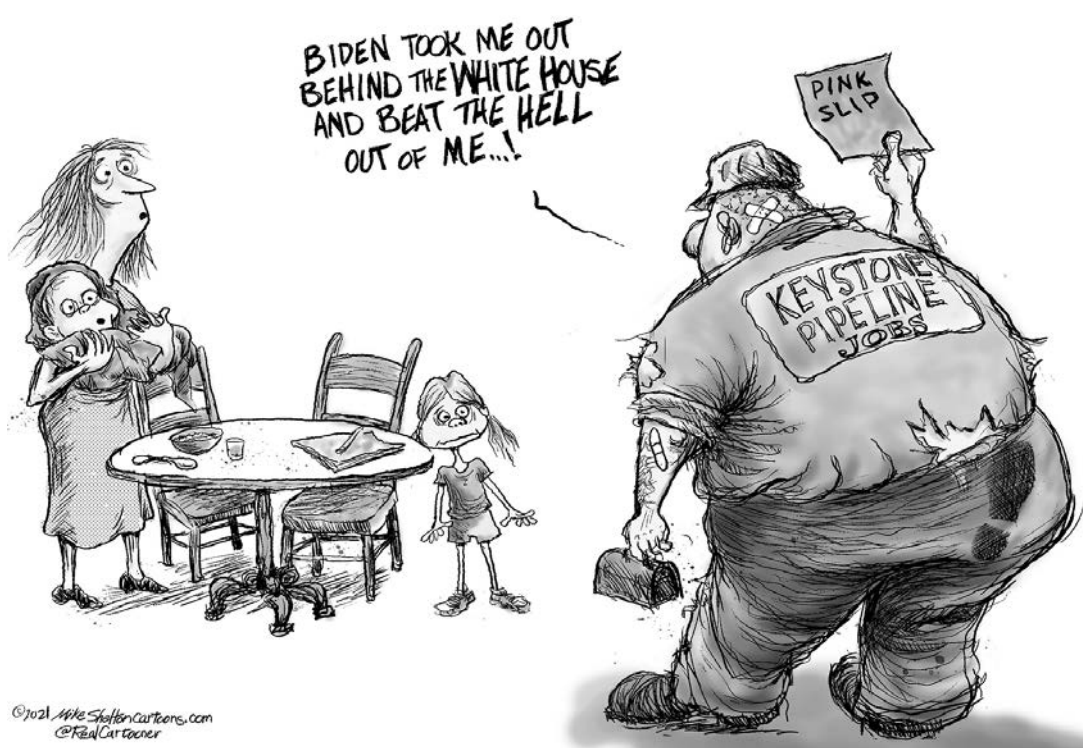
verbal analogies. Women's reading comprehension and writing ability consistently exceed that of men, on average. They outperform men in tests of fine-motor coordination and perceptual speed. They're more adept at retrieving information from long-term memory."

"Men, on average, can more easily juggle items in working memory. They have superior visuospatial skills: They're better at visualizing what happens when a complicated two- or three-dimensional shape is rotated in space, at correctly determining angles from the horizontal, at tracking moving objects and at aiming projectiles."

In reality debates about competitive factors aren't even so central to the argument. It is instead the desire by those on the extreme left to expand their footprint in modern society - to force mainstream culture to accept and adapt to values it deems unacceptable - which powers the transgender sports issue and so many others. Forcing the culture to acquiesce has nothing to do with the virtues of unity, fairness and getting along together to avoid animus; it's about the power to force that change. One need only look at the venomous juggernaut of social media cancel culture - the left's weapon du jour - to see how it attempts to destroy those of any profile who try to speak against their gospel.

With no defense of women's sports to be expected from the federal level under the Biden administration, the only line of defense will be state legislatures.

States have to confront this cultural effort from the political left, which is willing to sacrifice women on the altar of woke alt-sex acceptance. Women, it seems, must stand up for themselves all over again. ###



THE ANDERSON COUNTY REVIEW'S

PHONE FORUM

Record your comments on the topic of your choice at (785) 448-2500. You do not need to leave your name. Comments may be published anonymously. Calls may be edited for publication or omitted.

I am really perplexed regarding the rolling blackouts scheduled for this evening. Why don't they just turn on some ice-covered windmills? Seems like that would more than cover the shortage given that there are utility and regulatory plans to replace more and more coal generation with wind and solar. Just makes me go hmmm...

Mr. Hicks, I don't understand. We have an abundant natural gas supply, so we switch to coal burning plants to bring natural gas that we also use to heat our homes so we can be green and stop global warming. It gets really cold, and now we are short of natural gas and we are cold because we can't heat our homes with natural gas. We want to be diverse, unless it is with energy sources.

To the person who called the Phone Forum

about the economic development not doing anything for 20 years that is so totally wrong. Just look at 4th and Maple and the new car lot at 3rd & Vine, all operated by the same entrepreneur who gets by with anything thanks to the city manager.

Rolling electrical blackouts throughout the Kansas City area. Just wait folks, the bill for this isn't going to be paid by the wind farm companies which have carted off your tax money and made a killing with purchase mandates over the last decade. This bill is going to be paid by you customer. Call your power company and ask them what one of those frozen whirlybird popsicles really costs. Thank you.

Contact your elected leaders:

President Joseph Biden

The White House
1600 Pennsylvania Avenue NW
Washington, DC 20500
(202) 456-1111



Governor Laura Kelly

300 SW 10th Ave #241s,
Topeka, KS 66612
(202) 224-6521
email form:
www.governor.kansas.gov



12 Dist. Sen. Caryn Tyson

300 SW 10th St. Rm 236-E
Topeka, Ks. 66612 (785) 296-6838
P.O. Box 191 Parker, Ks. 66072
(913) 898-2366
caryn.tyson@senate.ks.gov



5th Dist. Rep. Mark Samsel

300 SW 10th St. Rm 168-W
Topeka, Ks. 66612
(785) 296-6287
Mark.Samsel@house.ks.gov



THALMAN...

FROM PAGE 4A

local government, meant to bring a heightened level of transparency to the expenditures of your tax dollars.

If legislators want to make some changes, they'd be better off requiring larger font sizes in the public notices so they are more legible, and even increasing the frequency of publication so citizens have more of a chance to see the notices.

Ultimately, this is an effort to keep our own hard-earned taxpayer money in our pockets by putting a spotlight on government business and spending. More awareness within our citizenry allows for more accountability of our local elected officials and government employees.

Any argument by a legislator that this is a cost-saving measure, is blatantly false and anyone claiming to be a fiscal conservative while arguing against public notices in newspapers is sabotaging their efforts to keep taxes low.

- Dan Thalman is publisher of the Washington County News in Washington, Kan.

Congress shall make no law respecting an establishment of religion, or prohibiting the free exercise thereof; or abridging the freedom of speech, or of the press; or the right of the people peaceably to assemble, and to petition the Government for a redress of grievances.

FORMERLY THE GARNETT PLAINDEALER, THE ANDERSON COUNTY REPUBLICAN, THE REPUBLICAN-PLAINEALER, THE GARNETT JOURNAL PLAINDEALER, THE GARNETT REVIEW, THE GREELEY GRAPHIC, THE ANDERSON COUNTRY.



Published each Tuesday by Garnett Publishing, Inc., and entered as Periodicals Class mail at Garnett, Ks., 66032, permit number 214-200. Copyright Garnett Publishing, Inc., 2018.

Postmaster: Send address corrections to:
The Anderson County Review
112 W. 6th Ave. • P.O. Box 409 • Garnett, KS 66032
(785) 448-3121-review@garnett-ks.com

Why charge more, give public less notice?

There have been attempts by state legislators over the years to remove the requirements for local government entities to publish legal notices in newspapers. For any elected officials who claim to be dedicated to fiscal responsibility and lower taxes, this is the exact opposite of what they should be working toward.

Recently, there was an idea proposed by one legislator to allow county commissions, school boards and city councils to publish their notices on government websites. An effort like this is usually pitched as a cost-saving measure for these local governments.

I acknowledge these boards do not like running these notices, because most of them just see the price tag and don't understand the principal of why they should be printed. Others just as soon prefer to keep their tax increases and government spending out of the public eye.

I have heard local elected officials work to avoid tax increases because they want to avoid publishing legally-required notices announcing the increase. So as a result of this requirement and an aversion to it by council and board members, taxpayers end up saving money.

These legal publications are checks on local government, meant in part to bring a heightened level of transparency to the expenditures of your tax dollars. As a percentage of their overall budget, the cost of publishing notices is often totally irrelevant.

COMMENTARY



DAN THALMAN, WASHINGTON COUNTY NEWS

As an alternative, the reality of publishing notices on local websites is that the local governments would be hiding them there, instead of publishing them for everyone to see.

Who would actually spend time tracking down the various government websites to find the page with the legal publications? In trying to find that information, you might want to look at the local Washington County page. If you've never been on it before, you'll need to be sure to get the right one. Did you know there are 30 Washington Counties in the United States, each with their own website?

Then you'll need to switch over to the school district website. Then the city website. Maybe even a township website? Want to compare your school district's tax levy to the neighboring district? Start Googling and

be ready to spend some time staring at your screen, because it could be a never-ending search.

In the newspaper, that information, which includes budgets, financial statements, ordinance changes and much more, can be found in one easily-accessible publication, right next to the news you might be reading about your kids' sports team or a story on the county commission or anything within the easily-consumable 10-16 pages of news each week. Tax information cannot be buried or hidden when you can quickly flip through the pages of a newspaper from beginning to end.

It is also impossible to change a legal publication when it is printed in ink on paper. It becomes a permanent record. While I don't believe any of our current local government employees would purposefully change a legal public notice if it were published online, it is very easy to change digital files and there is plenty of precedent around America showing illegal activities among government employees trying to hide things.

Do you want to keep your taxes down? Make sure your elected officials (on all levels) know they should keep public notices in the newspaper and never allow website publication as an alternative. We need to keep the fiscal business of local government in the public eye, rather than hiding them on obscure websites. These legal publications are checks on

SEE THALMAN AT RIGHT

Don't write the Republican Party off quite yet

NATIONAL COMMENTARY



RICH LOWRY, King Features Syndicate

that represents roughly half the country and is on the cusp of a majority in the House, tied 50-50 in the Senate, and in control of the governorships in 27 states and both the governorship and state legislature in 22 of those.

If we are going to consider this geographically diverse collection of officeholders -- whose careers in many instances pre-date Trump and will outlast him -- a mere personality cult, the word "cult" has lost its meaning.

The fortunes of our political parties ebb and flow and their iterations change over time, but they are deeply embedded institutions of our public life.

As Dan McLaughlin, my colleague at National Review, points out, the Republican Party has, since its inception, been a fusion

of a classic liberal wing with a more populist, elemental conservatism.

What's different about Trump is that he represents the ascendance of the populist wing after it had long been in a subordinate position in the party. Even he, though, retained key traditional policy priorities of the GOP, from tax cuts and judges to religious liberty and abortion.

That said, the party does need to get beyond Trump, who is a three-time loser now -- in the 2018 midterms, in his 2020 reelection campaign, and in the Georgia special elections. In electoral terms, "all the winning" stopped circa November 2016.

It if feels now as though the post-Trump GOP will never arrive, American politics moves quickly. Richard Nixon resigned in 1974, leaving the GOP in utter disarray -- and yet Reagan won a landslide six years later. The Tea Party sprang to life from nowhere in 2009 and had disappeared by 2016, subsumed into the Trump phenomenon.

There will inevitably be an overwhelming controversy in the Biden administration or a crisis that moves us beyond the politics of the Trump presidency and the immediate aftermath.

New issues will emerge, and there are plenty of talented, ambitious Republican politicians who think they are better suited to win a presidential election and serve as president

SEE LOWRY ON PAGE 7A

After losing a national election, it's natural that a political party goes through a period of soul-searching and internal turmoil.

The Republican Party, though, has taken it to another level.

President Donald Trump brought most of the GOP along for the ride during his conspiracy-fueled attempt to overturn the election.

His loyalists have been scouring the landscape searching for Republicans to censure or primary for insufficient loyalty to him.

The most famous Republican House freshman mused not too long ago about a space laser starting the 2018 California wildfires.

And Trump has maintained his hold on the party seemingly effortlessly.

This dismaying chapter has led to declarations that the party is doomed or calls to split it up. A former chair of the Washington state GOP wrote in an op-ed in The Seattle Times urging, as the headline put it, "Let's form a new Republican Party." This prompted a Chris Cillizza item at CNN headlined, "Should Republicans abandon the GOP?"

There's been a spate of articles by erstwhile Republicans announcing they are done with the party.

Jonathan Last wrote a piece in The New Republic titled: "The Republican Party is dead. It is the Trump cult now." Washington Post columnist Kathleen Parker declared, "The party isn't doomed; it's dead."

This seems a mite premature about a party

1981: Train strikes truck in Greeley, no serious injuries

February 2011

A dedication ceremony has been scheduled to recognize Trinity Lutheran Church's ongoing remodel of the former Garnett Roller Rink. Volunteer laborers have been working on remodeling the building since it was purchased in November 1998. Church pastor David Shrum said the construction won't be fully completed until about the end of the year, but the majority of the interior is nearly complete. The narthex and spacious worship area, featuring a clamshell-design ceiling is mostly complete.

February 2001

A convenience store clerk was assaulted during a foiled robbery attempt early Sunday morning in the walk-in cooler of the Garnett Vista Store. Garnett Police Chief James Bond said apparently two people went into the store about 3 a.m. and one of the individuals left the building while the other went into a cooler in the back room of the store. A store clerk apparently went into the cooler and caught the individual in the process of stealing beer. The suspect allegedly struck the clerk on

THAT WAS THEN



Melissa Hobbs
SEND LOCAL HISTORY PHOTOS, INFORMATION TO
REVIEW@GARNETT-KS.COM

the head with a beer bottle and fled. The clerk was treated for cuts and bruises at Anderson County Hospital and then was released. The suspect or suspects are not in custody, Bond said.

February 1991

Crest Superintendent Larry Wittmer had another year added to his contract during the regular meeting of the USD 479 Board of Education. Wittmer, who has been with the district now for two years, will now have a contract to cover the 1991-1992 school year due to the one-year extension approved by the board. The salary for the term of the con-

tract will be determined after teachers contract negotiations in the spring of 1991.

February 1981

A southbound Missouri Pacific train struck a pickup at a crossing in Greeley Wednesday morning, damaging the truck. The Ford pickup, driven by Steve Miller, of rural Greeley, was headed over a crossing near the intersection of North Vine and West Kaiser streets when it was hit by a lengthy coal train. Fortunately the train was not traveling at a fast speed at the time of the accident. Miller was taken to Anderson County Hospital for observation but was later released.

February 1921

Mount McKinley, the Oregon mountain, is sinking with the weight of ages. Within the last several years, when the peak shrugged its rocky shoulders in earthquakes, the loftiest mountain in North American has subsided at least 500 feet from its original altitude of 20,400 feet. Such was the assertion of Herschel C. Parker, geologist and mining engineer, who first escalated McKinley in 1912.

Large variety of finds during latest search

DIGGING UP THE PAST



There is an old saying, "Variety is the spice of life". I'm not so sure about the spice, but I did find quite a "variety" of items on my visit to a site on

the 3rd of February.

These artifacts range from modern day to one that is over 100 years old.

Pictured in the photo from left to right - top to bottom.

Small pair of scissors, 2 round harness rings, AC spark plug brass bushing, broken lock washer, 22-rifle shell casing, nut, Apple Blossom China shard, blue glass bead, clear cut glass setting, white & green swirled glass marble, green

glass shard, 1920 100 year old Wheat Penny, 1995-D Dime

Looking out this morning and seeing the snow and also knowing it's very, very cold out there, I know my excavating days are over until everything gets thawed out again. RESEARCH TIME!

Respectfully submitted by:
Henry Roeckers 8Feb2021

BILL...

FROM PAGE 1

nitions between women's and men's sports at the high school and college level in Kansas, prevents biological males from competing in women's sporting events, and provides for aggrieved women athletes to collect damages and attorney's fees from sponsoring schools and organizations which allow the transgender law to be violated.

The law sets forth basic scientific medical standards for defining men from women for the purpose of designated sports competition.

"A dispute regarding a student's sex shall be resolved by the school or post secondary educational institution where such student attends by requesting that the student provide such student's health examination and consent form or other statement signed by such student's personal health-care provider that shall verify the student's biological sex," the bill reads.

The bill is aimed at countering what conservatives fear will be federal support for a continuing move by men who identify as woman to compete in and dominate women's athletics. Numerous lawsuits have been filed in relation to the matter across the country. A Connecticut case that spawned a federal lawsuit resulted in the U.S. Department of Education,

under Trump appointee Betsy DeVoss, threatening the removal of federal education funding to the state due to Connecticut's policy of allowing biological men to compete as women. Such actions led to initiatives in multiple states to adopt boilerplate legislation aimed at reserving women's athletics for biological women.

Hicks said she believed the bill would be widely supported by female competitors in Kansas, but some might not speak out publicly.

"I think a lot of women athletes will support it, but they won't want to get savaged on social media by the liberals and the LGBTQ community if they say anything," Hicks said. "Especially at KU."

Hicks said the difference in performance levels between men and women in the pole vault event was striking. She said whereas a typical winning women's vault at the college level might be in the 14-foot range, men's winning marks could be over 18 feet - nearly 30 percent higher.

Other women athletes have expressed concerns as well. In an interview with BBC Radio, tennis champion Martina Navratilova suggested setting up a separate provision from the executive order to keep a level playing field in women's sports. The 18-time Women's Grand Slam singles winner

said the physical advantages for transgender women competitors were "pretty obvious." She told the network she opposed "an all-inclusive situation where trans men and women, just based on their self I.D., would be able to compete with no mitigation, no rules outside of that whatsoever. And that clearly would not be a level playing field."

Brittany Jones, a lobbyist with the Kansas Family Policy Alliance, said last week she expects the Kansas bill will receive a hearing in the legislature this session.

Wait to prune fruit trees until it warms up

MANHATTAN, Kan. - Kansas gardeners may find themselves on a time crunch to take care of their yard's fruit trees once the brutal cold temperatures across much of the state subside.

Kansas State University horticulture expert Ward Upham said homeowners have through March to prune fruit trees. That task, he notes, should only be done when the wood is not frozen.

K-State Research and Extension's bookstore has two publications that will help gardeners get the job done right, according to Upham, who suggests the following:

- Pruning Apple and Pear Trees.

- Pruning Peaches, Plums, Cherries and Other Stone Fruits.

Both publications are free and available online.

Upham's general recommendations for pruning fruit trees include the following:

- Take out broken, damaged or diseased branches.

- If two branches form a narrow angle, prune one out. Narrow angles are weak angles and tend to break during wind or ice storms.

- Take out all suckers, or branches that grow straight up.

- If two branches cross and rub against one another, one should be taken out.

- Cut back or remove branches that are so low that they interfere with harvest or pruning. If cutting back a branch, always cut back to another branch or bud; do not leave a stub.

- Cut back branches to reduce the total size of the tree, if necessary.

- Thin branches on the interior of the tree.

- "Prune in the order above, but stop once 30% of the tree is removed," Upham said. "Pruning more may harm the tree."

STUBS

Get the Review in your mailbox every week
AND the email link sent to your phone, tablet or desktop computer the morning of publication
NO MATTER WHERE YOU LIVE.

1) Fill out the form below and mail it with your check or money order payment to:

Garnett Publishing, Inc.
P.O. Box 409
Garnett, Ks. 66032

2) Call in your order during business hours :
(785) 448-3121

3) Complete the form and include your credit card information, take a picture of it, and email to: review@garnett-ks.com, or send to us via Facebook Messenger (search up our Facebook page under "Anderson County Review").

AGENCY WEST INSURANCE

205 N Maple St. • Garnett • 785-448-2284

Residential Insurance Commercial Insurance
• Auto • Home • General Liability • Commercial Auto
• Farm • Life • Health • Property • Work Comp • Bonding

Our Ottawa Office:
Sheri Lickteig, Agent
427 S. Main St. - Ottawa
(785) 521-2030

Courtney Tucker, Agent
ctucker@agencywest-ins.com

Make a HUGE SPLASH STATEWIDE

Or target your ad regionally for the most cost effective media buy anywhere!

Statewide Ads appear in over 140 newspapers, reaching more than a million readers each and every week.

Display, Classified & Online networks available!

Need a more targeted campaign or looking for national coverage? Call us today to customize your plans.

The Anderson County Review
(785) 448-3121
review@garnett-ks.com

PLEASE CHECK ONE

24 months at \$70.47 (\$88.67 outside adjoining counties and out of state)

18 months at \$59.68 (\$73.36 outside adjoining counties and out of state)

12 months at \$48.66 (\$57.77 outside adjoining counties and out of state)

*Includes sales tax.

Name _____
PLEASE PRINT CLEARLY

Address _____

City _____ State _____ Zip _____

Day Phone # _____

Email _____

Type of Payment: Check Credit Card

Credit Card (V,M,D) _____

Card Number _____

Card Holder _____ Exp.: _____

PUBLIC NOTICE

Your RIGHT to know.

Notice to creditors, Wolken Estate

(First published in the Anderson County Review, Tuesday, February 9, 2021.)

IN THE DISTRICT COURT OF
ANDERSON COUNTY, KANSAS

IN THE MATTER OF THE ESTATE OF
FERN C. WOLKEN, DECEASED.
Case No. AN-2021-PR-000002

NOTICE TO CREDITORS

The State of Kansas to all Persons Concerned:

You are hereby notified that on January

26, 2021, a Petition for Probate of Will and Issuance of Letters Testamentary was filed in this Court by Lonnie D. Sprague, an heir, and a Co-Executor named in the "Last Will and Testament of Fern C. Wolken," deceased.

All creditors of the decedent are notified to exhibit their demands against the Estate within the latter of four (4) months from the date of the first publication of this notice under K.S.A. 59-2236 and amendments thereto, or if the identity of the creditor is known or reasonably ascertainable, thirty (30) days after actual notice was given, as provided by law, and if their demands are not thus exhibited, they shall

be forever barred.
Lonnie D. Sprague, Petitioner

John H. Mitchelson
Ks. Bar No. 11686
WHEELER & MITCHELSON,
CHARTERED
Fourth and Broadway
P.O. Box 610
Pittsburg, Kansas 66762-0610
(620) 231-4650
Attorneys for Petitioner

fb1613*

Notice of proposed flood hazard determinations for Anderson County

(First published in the Anderson County Review, Tuesday, February 9, 2021.)

DEPARTMENT OF HOMELAND SECURITY

FEDERAL EMERGENCY
MANAGEMENT AGENCY

Proposed Flood Hazard Determinations for
Anderson County, Kansas and
Incorporated Areas

The Department of Homeland Security's Federal Emergency Management Agency has issued a preliminary Flood Insurance Rate Map (FIRM), and where applicable, Flood Insurance

Study (FIS) report, reflecting proposed flood hazard determinations within Anderson County, Kansas and Incorporated Areas. These flood hazard determinations may include the addition or modification of Base Flood Elevations, base flood depths, Special Flood Hazard Area boundaries or zone designations, or the regulatory floodway. Technical information or comments are solicited on the proposed flood hazard determinations shown on the preliminary FIRM and/or FIS report for Anderson County, Kansas and Incorporated Areas. These flood hazard determinations are the basis for the floodplain management measures that your community is required to either adopt or show evidence of being already in effect in order to

qualify or remain qualified for participation in the National Flood Insurance Program. However, before these determinations are effective for floodplain management purposes, you will be provided an opportunity to appeal the proposed information. For information on the statutory 90-day period provided for appeals, as well as a complete listing of the communities affected and the locations where copies of the FIRM are available for review, please visit FEMA's website at https://www.floodmaps.fema.gov/fhm/BFE_Status/bfe_main.asp, or call the FEMA Mapping and Insurance eXchange (FMIX) toll free at 1-877-FEMA MAP (1-877-336-2627).

fb1612*

Notice of hearing for change of name

(First published in The Anderson County Review, Tuesday, February 16, 2021.)

IN THE 4TH JUDICIAL DISTRICT
DISTRICT COURT OF
ANDERSON COUNTY, KANSAS

IN THE MATTER OF THE PETITION OF
Thomas Jacob Wright
Present Name
To Change His/Her Name to:
Alice Wright
New Name
Case No. AN-2021-CV-000001

PURSUANT TO K.S.A. CHAPTER 60

NOTICE OF HEARING – PUBLICATION

THE STATE OF KANSAS TO ALL WHO ARE
OR MAY BE CONCERNED:

You are hereby notified that Thomas Jacob Wright, filed a Petition in the above court on the 4th day of January, 2021, requesting a judgment and order changing his/her name from Thomas Jacob Wright to Alice Wright.

The Petition will be heard in Anderson County District Court, 100 E. 4th, Garnett, Kansas on the 8th day of March 2021 at 9:00 a.m.

If you have any objection to the requested name change, you are required to file a responsive pleading on or before March 7, 2021 in this court or appear at the hearing and object to the requested name change. If you fail to act, judgment and order will be entered upon the Petition as requested by Petitioner.

Petitioner, Pro Se
Thomas Jacob Wright
245 E. 7th St.
Garnett, KS 66032
785-248-3795

fb1613*

Notice to terminate parental rights

(First published in The Anderson County Review, Tuesday, February 16, 2021.)

IN THE DISTRICT COURT OF
ANDERSON COUNTY, KANSAS

In the Matter of the Adoption of
Navia Rae Vandenberg,
a minor born August 2013

Case No. AN-2020-AD-000006
Chapter 59

NOTICE OF ADOPTION HEARING TO
TERMINATE PARENTAL RIGHTS

THE STATE OF KANSAS TO Richard Eugene Vandenberg, III, AND ALL PERSONS CONCERNED:

YOU ARE HEREBY NOTIFIED that Noah Miller has filed a Petition for Adoption in the above-named Court praying for an Order and Decree from said Court granting the adoption of Navia Rae Vandenberg as his own child and terminating the parental rights of the natural father of said child. If you claim an interest in this child, you are hereby required to file your written defenses thereto on or be for the 24th day of March, 2021, at 9:00 a.m. of said day, in said

Court, at the Anderson County Courthouse in the City of Garnett, Kansas, at which time and place said cause will be heard. Should you fail thereof, judgment and decree will be entered in due course upon said Petition.

Steven A. Jensen, #13713
13 South Pearl
Paola, Kansas 66071
Telephone: 913.294.2200
sjensen@micocks.net

ATTORNEY FOR PETITIONER

fb1613*

Summary of amended zoning ordinance

(Published in The Anderson County Review, Tuesday, February 16, 2021.)

City Attorney's Summary of
Ordinance #4217

On February 9, 2021, the governing body of the City of Garnett Kansas, passed Ordinance #4217 which amended the general zoning

ordinance, Ordinance #3059, changing the zoning classification of certain real estate particularly described therein from R-S Residential Suburban District to B-1 General Business District.

A complete copy of this ordinance is available free of charge at www.garnettks.net (available for at least one week following the publication

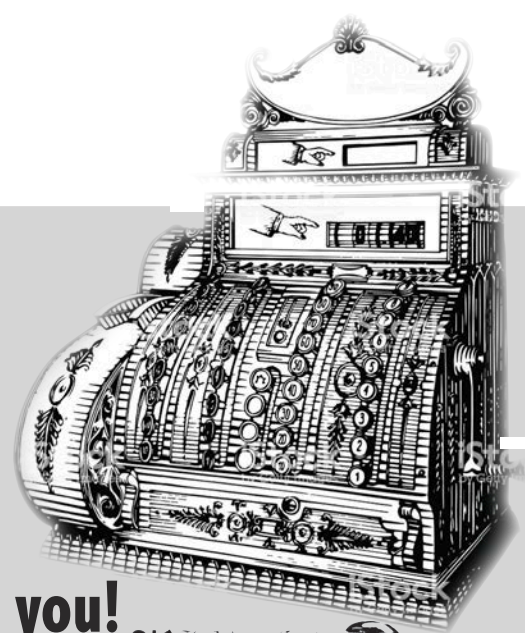
of this summary notice) or at City Hall, 131 W. Fifth Avenue, during regular business hours.

This summary is certified by Terry J. Solander, City Attorney, in compliance with K.S.A. 12-3007.

fb1611*

IN BUSINESS

A directory of Anderson County area businesses ready to serve you!



The Anderson County
Review

AL'S DOOR CO.

Service • Sales • Installation • Repairs
Garage Doors & Openers
242 E. 5th, Garnett
(785) 248-9800
albrandes@alsdoorcompany.com

On-the-Farm Service • Alignments

WOLKEN TIRE
GARNETT, KS

601 South Oak
Garnett, Kansas
(785) 448-3212

Cooper • Jetzon • Kumho

EDAR VALLEY METAL SUPPLY

Manufacturers of
Metal Panels & Trim
Garnett • (785) 448-1614

ASTRO BUILDINGS
Garnett, KS

Everett Miller • (785) 448-6788

Millers Construction, Inc.
Since 1980
Delden Doors & Openers
• We sell & service these brands & more.
Call for quotes & details.

Rodney Miller • (785) 448-3085

Jo Wolken E.A., A.T.A.

IRA's
Mutual Funds
Investments

785-448-3056

www.taximetaxserviceinc.com

HELPING YOU PLAN
TODAY FOR TOMORROW
Securities offered through Avantax Investment Services®
Member FINRA, SIPC. Investment advisory services
offered through Avantax Advisory Services® Insurance
services offered through an Avantax affiliated insurance
agency, 415 S. Oak Street, Garnett, Ks., 66032.

PERFORMANCE ELECTRIC SOLUTIONS

206 North Oak • Ottawa, KS • (785) 242-5748
www.performance-electric.com

A complete residential electrical service company
• Rural Electrical Service
• Transfer Switch & Generator Connection
• Bucket Truck

7-Block Certified
Licensed Electricians
Bonded • Insured
Free Estimates



Quality Service For
Over 20 Years.
Serving Anderson
& Franklin Counties.

You saw this.
So will your
customers.
Advertise here
for just \$8/week.

(785) 448-3121

Quality Matters



• real estate sales
• weddings
• sporting events
• facility inspections
• aerial survey & mapping

fotodrone

aerial video & still photography
(785) 304-3870 • flyfotodrone@gmail.com

You saw this.
So will your
customers.
This double-space
is available.

SPARKLES CLEANING & PAINTING
• office cleaning & interior painting
Free estimates
(620) 228-2048

MONT IDA MEATS
Howard Yoder
Owner-Operator
22468 NW Indiana Pk • Weida, KS
(785) 489-2212
Inspected Facility

Hours:
MONDAY Slaughter Day
TUESDAY-FRIDAY 8:00 a.m. - 6:00 p.m.
SATURDAY 8:00 a.m. - 12:00 p.m.
SUNDAY Closed

POST FRAME BUILDINGS FREE Estimates
RESIDENTIAL SLAB HOMES
YUTZY BUILDINGS
METAL ROOFING 1-800-823-8609
BUILDINGS
www.yutzycorrection.com

AUBURN PHARMACY
(785) 448-6122
429 N. Maple • Next to Country Mart
Reliable, Dependable, Consistent
Always There - Always Caring

WISE AUTO
THE SMART CHOICE
120 S. Maple
Garnett, KS
wiseautoks.com
785-448-2171

Heck's Moving Service



Furniture • Appliances • Garage etc.

Ashton Heck
(785) 204-0369

E-Statements &
Online Banking

Serving The Area Since 1989
GSSB FDIC
GARNETT STATE BANK

Garnett • Colony • Hepler
Ottawa • Pomona •
St. Paul • Walnut

BECKMAN MOTORS
GARNETT, KS
BUICK
N. Hwy. 59 • Garnett
(785) 448-5441
www.beckmanmotorsinc.com

Expect the unexpected - 'America Saves Week'

MANHATTAN, Kan. — If ever there was a year to drive home how important saving for emergencies is, 2020 was it. The sudden loss of income linked to COVID-19 caught people off guard. Businesses closed or reduced operations, leading to job losses or smaller paychecks.

That makes the messages behind America Saves Week, Feb. 22-26, that much more compelling, said Kansas State University personal financial management specialist, Elizabeth Kiss.

America Saves is a national campaign to encourage Americans to increase their savings and decrease their debt. America Saves Week is a time to think about goals and consider setting, or renewing, a savings goal, Kiss said. Among the week's themes this year are saving automatically and saving for the unexpected.

"I really see those as going well together, because saving automatically is when you take a 'set it and forget it' approach, which means you decide how much you want to save — and it doesn't have to be huge amounts; even saving \$10 a paycheck or \$20, \$25 or \$50 a paycheck will add up over time — (and) setting it aside on a regular basis," she said.

Saving automatically is relatively easy with most financial institutions, she added, but people can set their own routines to make transfers themselves online or at the ATM.

It's helpful to have a separate account — a separate "bucket" — Kiss said, from one's daily operating account and maybe even separate from long-term savings.

A common rule of thumb, she said, has been to save 10% of your income, but Kiss prefers to encourage people to save what they can, especially for emergency savings: "Every bit that you can save ahead of time, probably that's less than what you'd have to put on a credit card or have to borrow from friends or family."

She cited the U.S. Financial Capability Survey that said about 52% of Kansans have a "rainy day" fund that would handle expenses for about three months.

That's another way to look at how much to save, to consider building enough savings to

pay for three or more months of expenses, which would help in the event of job loss or if you had to take time from work to act as a caregiver or became ill yourself.

Another approach is put enough away to cover your insurance deductibles. That might be \$1,000 for instance, for a claim on your vehicle insurance. Deductible amounts vary by type of insurance, so it is a good idea to regularly review your insurance policies for the details.

Emergencies can run the gamut, including an interruption in work, an illness, or a natural disaster. A flooded basement, for instance, may require several days off work to deal with the cleanup, plus expenses related to the clean-up and possible replacement of lost items.

Kiss said this topic hit home for her family personally when a tree fell on her husband's car.

Dealing with the financial implications of a broken refrigerator, water heater or washing machine are easier if you have an emergency or "rainy day" fund.

"Another way to think about it is the 'sleep at night test,'" she said. "If you worry about not being able to comfortably respond and recover from unexpected events, then taking action to increase the amount in your emergency fund could be an important financial goal."

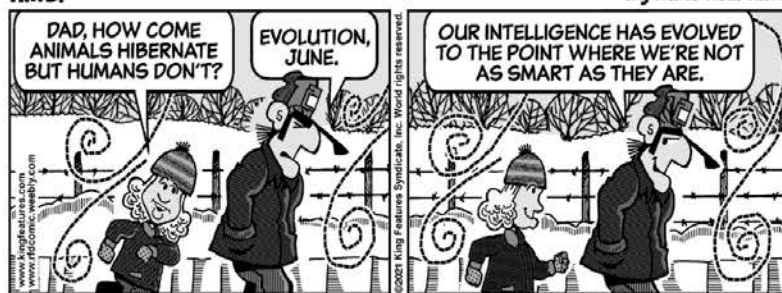
Not sure where to squeeze money for saving from your budget? Kiss suggested taking a hard look at where your money is going and identifying what she calls spending leaks: "Those smallish regular purchases that we tend to make on auto-pilot, such as routine purchases at the vending machine or stopping for coffee or going out for lunch on a regular basis."

"It doesn't mean we have to eliminate them from our spending but think about other ways to enjoy the feeling that comes with making those purchases. With lunch, for instance, consider eating out one fewer day per week and instead making your lunch. Take the money — even if it's \$5 — and put it in your emergency fund," she said. "Five dollars a week is \$20 a month. Over time, it adds up."

Amber Waves



R.E.D.



The Spats



Weekly SUDOKU

by Linda Thistle

	6		4		9			
4			7					2
	5		2		1			
	2			9				6
		7		8				3
8		7			5			
	2	1						7
7				5	4			
	9			8				1

Place a number in the empty boxes in such a way that each row across, each column down and each small 9-box square contains all of the numbers from one to nine.

DIFFICULTY THIS WEEK: ♦♦♦

♦ Moderate ♦♦ Challenging
♦♦♦ HOO BOY!

© 2021 King Features Synd., Inc.

Now here's a tip!

by Jo Ann Derson

- Fruit math: A tomato or an apple plus green bananas in a paper bag equals ripe bananas.
- Empty tissue boxes have so many uses. Try lining one with a plastic grocery bag and keeping it in your car for stray trash. Or you can use it to corral all of those plastic grocery bags until you need them — just stuff them in one at a time. Lastly, and probably my favorite: Cut out doors and windows to use as houses for kids' toys. Imagination makes the possibilities endless. — JoAnn
- "Jazz up your pancakes by adding pureed frozen blueberries or strawberries. It turns the mix either blue or red, and it's fun for the kiddos." — V.R. in Florida

and Northern Ireland
7. Charles Dickens; 8. Meow Mix; 9. Connecticut; 10. England, Wales, Scotland
sun is directly overhead and objects cast no shadow; 5. Eight; 6. A dazle or zeal;
1. Berlin, Germany; 2. The truth shall set you free; 3. Dino; 4. When the
Trivia Test Answers

Puzzles4Kids

by Helene Hovanec

CODED RIDDLE

Change each letter to the one that comes immediately BEFORE it in the alphabet to find a riddle and its answer.

Here's a copy of the alphabet to guide you:

ABCDEFGHIJKLMNOPQRSTUVWXYZ

XIBU EP ZPV HFU JG ZPV DSPTT

B TIFQ BOE B QPSDVQJOF?

BO BOJNBM UIBU LOJUT

JUT PXO TXFBUFST.

Puzzles4Kids

by Helene Hovanec

Even Exchange

Each numbered row contains two clues and two 6-letter answers. The two answers differ from each other by only one letter, which has already been inserted. For example, if you exchange the A from MASTER for an I, you get MISTER. Do not change the order of the letters.

1. Hiker's pathway	_____ L _____	Keep in shape	_____ N _____
2. Roam	_____ A _____	Awe	_____ O _____
3. Before deductions	_____ O _____	Lawn	_____ A _____
4. Small trumpet	_____ N _____	Waist cincher	_____ S _____
5. Calvary sword	_____ A _____	Of sound mind	_____ O _____
6. Ben's ice cream pal	J _____	Absorbent cloth	T _____
7. All-inclusive	_____ R _____	Tempt	_____ C _____
8. Plenty	_____ M _____	Eden's fruit	_____ P _____
9. Stick around	_____ I _____	Extended	_____ O _____
10. Within reach	_____ N _____	Robust	_____ R _____

HOCUS-FOCUS

BY HENRY BOLTIHOFF

Find at least six differences in details between panels.

Differences: 1. Sale sign is added; 2. Burton missing from woman's jacket; 3. Ceiling light is added; 4. Door is missing; 5. Man's tie is white; 6. Row of mugs is missing.

Kids' Maze Solution

Even Exchange

by Donna Pettman

Each numbered row contains two clues and two 6-letter answers. The two answers differ from each other by only one letter, which has already been inserted. For example, if you exchange the A from MASTER for an I, you get MISTER. Do not change the order of the letters.

1. Hiker's pathway	_____ L _____	Keep in shape	_____ N _____
2. Roam	_____ A _____	Awe	_____ O _____
3. Before deductions	_____ O _____	Lawn	_____ A _____
4. Small trumpet	_____ N _____	Waist cincher	_____ S _____
5. Calvary sword	_____ A _____	Of sound mind	_____ O _____
6. Ben's ice cream pal	J _____	Absorbent cloth	T _____
7. All-inclusive	_____ R _____	Tempt	_____ C _____
8. Plenty	_____ M _____	Eden's fruit	_____ P _____
9. Stick around	_____ I _____	Extended	_____ O _____
10. Within reach	_____ N _____	Robust	_____ R _____

Even Exchange

Answers

1. Trail, Train
2. Wander, Wonder
3. Gross, Grass
4. Cornet, Corset
5. Saber, Sober
6. Jerry, Terry
7. Entire, Entice
8. Apple, Apple
9. Linger, Longer
10. Handy, Handly

HOUSE HUNTERS!

These two birds want to find two houses that are exactly alike. Can you spot them?

ANSWER: Houses 1 and 9

ONE, TWO, BUCKLE MY SHOE! In our AlphaMath puzzle, you must replace the letters with the digits 0, 2, 3, 4, 5, 6, 7, 8 and 9, so that you have a correct addition problem. The same letters get the same digits. Try to get the highest possible total.

Our answer: J-H-S, U-Z, M-7, P-D, R-4, A-8, O-6, E-3, G-9, A-9, A-8 (5270 + 4503 = 9873)

THE "D" PYRAMID! As you move down the word pyramid show here, each word contains the same letters as the word above it, plus a new letter. We give you all the D's. Here are some hints from the top down.

- Roman numeral 500 (in place).
- State abbr.
- To free from.
- N. African currency.
- Type of motor.
- Dry climate.
- Confer holy orders on.
- One who is suave.

Puzzles4Kids

Answers

What do you get if you cross a sheep and a porcupine?
An animal that knits.
Its own sweaters.

King Crossword

1	2	3	4	5	6	7	8	9	10	11
12					13				14	
15					16				17	
				18				19	20	
21	22	23					24			
25					26	27			28	29
30					31				32	
33					34				35	
					36				37	
38	39						40	41		
42							43	44		
45	46	47								
48							49			50
51										53

ACROSS

- Seize
- Butte's kin
- Cardinal cap letters
- "Othello" villain
- In — (lined up)
- Weeding tool
- Reality show for aspiring entrepreneurs
- PC key
- Minor quibbles
- Hospital sections
- Type of beam
- Pack (down)
- Reverberate
- Rubber wedge, say
- Small battery
- All better
- Actress
- Thurman
- Hoedown musicians
- Author Harte
- Seeing things
- Tubular pasta
- Tribal emblem
- Coffee, slangily
- Mess up
- Temporary
- GPS suggestion
- Last write-up
- Despot
- British verb

DOWN

- USO audience
- Fan's cry
- Khan title
- Third-largest island
- "The Martian" actor Damon
- Historic periods
- Junior
- Clumsy
- Mountain road feature
- Snitched
- Reply to "Shall we?"
- White wine cocktail
- Mornings (Abbr.)
- Piece of lettuce
- Exotic berry
- Elm, for one
- Low digits
- Union payment
- Historic periods
- Portent
- Canape spread
- South Carolina uni-
- versity
- Decorate
- Easter eggs
- Actor Warren
- Beetle
- Bailey's rank (Abbr.)
- Garr of "Tootsie"
- Scraps
- Unite
- Museo display
- Showtime rival
- Jargon suffix
- Squealer
- Hosp. scan

© 2021 King Features Synd., Inc.

Trivia test

by Fifi Rodriguez

- THEATER: Which city was the setting for the musical "Cabaret"?
- LANGUAGE: What does the Latin phrase "veritas vos liberabit" mean?
- TELEVISION: What was the name of the pet "dog" on "The Flintstones"?
- ASTRONOMY: What is a zenith in terms of our solar system's sun?
- HISTORY: How many days were in an ancient Roman week?
- ANIMAL KINGDOM: What is a group of zebras called?
- LITERATURE: Which 19th-century novelist's last work was titled "The Mystery of Edwin Drood"?
- AD SLOGANS: Which brand of pet food uses the slogan, "Tastes so good cats ask for it by name"?
- U.S. STATES: Which state's residents might be called "Nutmeggers"?
- GEOGRAPHY: Which four countries are included in the United Kingdom?

Solution time: 23 mins.

Answers

King Crossword

LOWRY...

FROM PAGE 4A

than Donald Trump 2.0. The incentives are for them to slipstream behind Trump for now, but that won't always be true. The temptation to splinter from the GOP might be alluring to elements of both the populists and the Republican traditionalists, but this a dead end. The Republican Party is the only plausible electoral vehicle

for any sort of right-of-center politics in America. It is worth fighting over, and it will be. That struggle is sure to be toxic and unpredictable — except for the fact that at the end of the day the Grand Old Party will still be standing.

Rich Lowry is editor of the National Review.

Notice of hearing - Morgan Estate

(First published in The Anderson County Review, Tuesday, February 16, 2021.)

IN THE DISTRICT COURT OF ANDERSON COUNTY, KANSAS

In the Matter of the Estates of

KELLY JAMES MORGAN and ALFRED V. MORGAN, both Deceased Case No AN-2021-PR- 03

NOTICE OF HEARING

THE STATE OF KANSAS TO ALL PERSONS CONCERNED:

You are hereby notified that a petition has been filed in this court by Peggy Ann Morgan, heir at law of each of the above named decedents, praying that descent be determined of Kelly James Morgan and Alfred V. Morgan, both deceased, in certain real estate particularly described in said petition and of all other Kansas real estate as was or may have been owned by said decedents at their respective deaths; and that said decedents interests be assigned in accordance with the Kansas laws of intestate succession.

You are required to file your written defenses thereto on or before the 10th day of March, 2021, at 9:00 a.m. in the District Court, Garnett, Anderson County, Kansas, at which time and place the cause will be heard. Should you fail therein, judgment and decree will be entered in due course upon the petition.

You are further notified, pursuant to Supreme Court Administrative Order 2020-PR-48 that if you choose to appear in response to this Order and the Notice related thereto, you will be DENIED ACCESS if:

- You have been in close contact with someone who has been diagnosed with, or is suspected to have had, COVID-19 within the last 14 days;

- You are experiencing two or more of the COVID-19 symptoms identified by the Centers for Disease Control and Prevention; or,

- You have travelled to an area subject to COVID-19 travel restrictions imposed by the Kansas Department of Health and Environment within the previous 14 days.

If any of these restrictions apply, you should NOT APPEAR but should contact the court. Telephone: 785-448-6886; E-Mail: district-court@embarqmail.com

PEGGY ANN MORGAN
Petitioner

Terry J. Solander #07280
503 S. Oak St. - P.O. Box 348
Garnett, KS 66032-0348
785-448-6131; FAX 785-448-2475
solander@embarqmail.com
Attorney for Petitioner

3/19/21

Junior Whirl

by Charles Barry Townsend

FIND THE BIG WORDS!

Using the definitions below and the anagrams, find the eight eight-letter words that fit into the framework pictured on the left. For each definition, the letters in the two anagram words must be unscrambled and used to form the word asked for.

DEFINITIONS:

- A brief, informal letter.
- Grinding your teeth.
- To formally accuse.
- What the horse did.
- Little old ladies.
- A string of words.
- What a baker does.
- Fierce medieval fighter.

ANAGRAMS:

anti + toon
sing + hang
cede + noun
hind + wine
rein + snag
cent + sear
king + dean
sane + mom

JUMP ROPE GAME

Our answer: J-H-S, U-Z, M-7, P-D, R-4, A-8, O-6, E-3, G-9, A-9, A-8 (5270 + 4503 = 9873)

Kids' Maze

Answers: 1. Notation; 2. Gnashing; 3. Denounce; 4. Whined; 5. Gammes; 6. Sentence; 7. Knapping; 8. Norseman.

© 2021 King Features Syndicate, Inc.

Pair of Bulldog wrestlers heading to Substate

BY KEVIN GAINES THE ANDERSON COUNTY REVIEW

BURLINGTON - Four Anderson County Bulldog grapplers placed in last week's regionals as AJ Schaffer (113) finished 4th and Ashton Miller (152) finished 3rd to punch their tickets to the substate tournament this Friday.

Schaffer (21-6) won by Fall (4:10) in the first round over Iden Stover of Labette County before dropping his second round match of Kolton Misener (27-0) of Chanute by tech fall (5:33). Schaffer rebounded with a win by decision (5-2) over Tucker Williams of Burlington to advance to the 3rd place match, which he would drop to Saxton Renfro (20-5) of Independence by decision (10-3).

Miller (21-6) would take a similar route to qualifying for substate. Miller won by fall (1:04) over Alex Williams (7-24) of Frontenac. In his semifinal match, Miller dropped it to Christian Engoff (23-4) of Columbus by Fall (1:52). Miller would win the consolation semifinal to guarantee a trip to substate by winning via fall (0:52) over Garret Cullor (14-12) of Prairie View. Unlike Schaffer, Miller would win the third place match by decision (5-1) over Jacobi Sharpe of Coffeyville-Field Kindley (21-6).

Results
113
AJ Schaffer (21-6) placed 4th and scored 12.0 team points.
Quarterfinal - AJ Schaffer (Garnett-Anderson County) 21-6 won by fall over Iden Stover

(Altamont-Labette County) 6-7 (Fall 4:10)
Semifinal - Kolton Misener (Chanute) 27-0 won by tech fall over AJ Schaffer (Garnett-Anderson County) 21-6 (TF-1.5 5:53 (17-0))
Cons. Semi - AJ Schaffer (Garnett-Anderson County) 21-6 won by decision over Tucker Williams (Burlington) 23-7 (Dec 5-2)

3rd Place Match - Saxton Renfro (Independence) 20-5 won by decision over AJ Schaffer (Garnett-Anderson County) 21-6 (Dec 10-3)
120
Masten Wright (22-7) placed 5th and scored 8.0 team points.
Quarterfinal - Kohen Wright (Independence) 15-4 won by fall over Masten Wright (Garnett-Anderson County) 22-7 (Fall 3:50)

Cons. Round 1 - Masten Wright (Garnett-Anderson County) 22-7 won by fall over Lathan Lundberg (Frontenac) 8-19 (Fall 2:33)
Cons. Semi - Shawn Barrager (Fort Scott) 31-4 won by fall over Masten Wright (Garnett-Anderson County) 22-7 (Fall 2:28)
5th Place Match - Masten Wright (Garnett-Anderson County) 22-7 won by decision over Beau Harris (Girard) 12-8 (Dec 8-4)

126
Brayden Hermreck (15-10) place is unknown and scored 0.0 team points.
Quarterfinal - Cooper Anderson (Independence) 19-6 won by fall over Brayden Hermreck (Garnett-Anderson

County) 15-10 (Fall 0:56)
Cons. Round 1 - Jesse Hall (Coffeyville-Field Kindley) 16-17 won by fall over Brayden Hermreck (Garnett-Anderson County) 15-10 (Fall 4:00)
132
Carter Sommer (15-9) place is unknown and scored 0.0 team points.
Quarterfinal - Kedric Emling (Chanute) 23-6 won by fall over Carter Sommer (Garnett-Anderson County) 15-9 (Fall 1:42)

Cons. Round 1 - Peyton Wilderman (Frontenac) 16-17 won by fall over Carter Sommer (Garnett-Anderson County) 15-9 (Fall 4:20)
138
Trinton Guernsey (8-9) place is unknown and scored 0.0 team points.
Quarterfinal - Evan Flatt (Altamont-Labette County) 15-8 won by fall over Trinton Guernsey (Garnett-Anderson County) 8-9 (Fall 0:44)

Cons. Round 1 - Bennie Adarr (Frontenac) 11-15 won by decision over Trinton Guernsey (Garnett-Anderson County) 8-9 (Dec 7-6)
145
John Wright (20-8) placed 6th and scored 6.0 team points.
Quarterfinal - Trenton Smith (Columbus) 31-7 won by fall over John Wright (Garnett-Anderson County) 20-8 (Fall 3:28)

Cons. Round 1 - John Wright (Garnett-Anderson County) 20-8 won by fall over Zack Nordgren (LaCygne-Prairie View) 4-14 (Fall 2:27)

Cons. Semi - Caedon Berkenmeier (Burlington) 24-7 won by fall over John Wright (Garnett-Anderson County) 20-8 (Fall 2:52)
5th Place Match - Jaden Malson (Parsons) 12-6 won by fall over John Wright (Garnett-Anderson County) 20-8 (Fall 1:38)

152
Ashton Miller (21-6) placed 3rd and scored 16.0 team points.
Quarterfinal - Ashton Miller (Garnett-Anderson County) 21-6 won by fall over Alex Williams (Frontenac) 7-24 (Fall 1:04)

Semifinal - Christian Engoff (Columbus) 23-4 won by fall over Ashton Miller (Garnett-Anderson County) 21-6 (Fall 1:52)
Cons. Semi - Ashton Miller (Garnett-Anderson County) 21-6 won by fall over Garret Cullor (LaCygne-Prairie View) 14-12 (Fall 0:52)

3rd Place Match - Ashton Miller (Garnett-Anderson County) 21-6 won by decision over Jacobi Sharpe (Coffeyville-Field Kindley) 21-6 (Dec 5-1)
170
Tyler Denny (8-12) place is unknown and scored 0.0 team points.
Quarterfinal - Landon Proffitt (Columbus) 21-12 won by major decision over Tyler Denny (Garnett-Anderson County) 8-12 (MD 10-1)

Cons. Round 1 - Gunar Allen (Independence) 16-9 won in tie breaker - 1 over Tyler Denny (Garnett-Anderson County) 8-12 (TB-1 2-1)

Lady Bulldog wrestling season comes to an end

BY KEVIN GAINES THE ANDERSON COUNTY REVIEW

BURLINGTON - In what was just the second year of sanctioned wrestling for girls in high schools across Kansas, the Anderson County Bulldogs only sent one wrestler to regionals in Burlington last week, numbers that likely reflect a year of unknowns due to the COVID pandemic.
Bulldog grappler, sophomore Bailey Clawsen, was 7-10

on the season entering regionals and promptly lost her first two matches to end her season.
In the first round, Clawsen squared off with Layla Tindle (16-2) of Fredonia and dropped the match by Fall (1:45).
Clawsen would drop to the consolation bracket and in the second round would drop her match by decision (4-2) to Melissa Ortiz (9-10) of Coffeyville-Field Kindley.

Lady Vikings cruise to win over Crest

BY KEVIN GAINES THE ANDERSON COUNTY REVIEW

RICHMOND - It was a lopsided affair last Tuesday as the Central Heights girls cruised past the Crest Lancers, 53-26.
The Lancers were held scoreless over the first period and found themselves trailing 15-0 heading into the second period.

fourth while Crest notched 6 points in the third and 11 in the fourth to account for the final.
Godderz was the only Lancer in double figures with 11 points on the evening.
Roehl led all scorers with 13 points and Compton scored 10 as they led the Vikings to the victory.

It was much of the same in the second as the Vikings erupted for 24 points while Crest responded with 9 to make the score going into halftime, 39-9.
The second half saw the pace slow dramatically. The Lady Vikings tallied 10 points in the third and just 4 points in the

Box Score
Crest 0 9 6 11 - 26
Central Heights 15 24 10 4 - 53
Individual Scoring
Crest - Beckmon 6, Noah 2, Hermreck 7, Godderz 11
Central Heights - Farris 2, Roehl 13, Meyer 1, Compton 10, Criqui 8, Higbie 5, Davis 2, Haynes 6, Peel 6

Vikings overwhelm Crest

BY KEVIN GAINES THE ANDERSON COUNTY REVIEW

RICHMOND - The Crest Lancers had entered their contest on Tuesday night against the Central Heights Vikings as winners of 8 of their last 11 games but lost on the road 68-38.
Central Heights jumped out to a 19-8 lead after the first quarter and basically put the game out of reach, heading into intermission with a commanding 42-20 advantage.

Crawford scored 23 points for the Vikings to lead all scorers.
A trio of teammates also hit double figures for Central Heights. Burson tallied 13 points, Bones 11 and Rowan 10.
Kobey Miller paced Crest with 16 points.

Crest would limit Central Heights to 26 points in the second half, 16 of them in the third quarter and 10 in the fourth, but only scored 17 of their own over that same span.

Box Score
Crest 8 12 10 7 - 38
Central Heights 19 23 16 10 - 68
Individual Scoring
Crest - Miller 5, Church 3, Godderz 3, Hermreck 3, McGhee 2, Praska 3, Miller 15, Golden 2, Winter 2
Central Heights - Crawford 23, Rowan 10, Burkdoll 1, Cannady 3, Peel 7, Bones 11, Burson 13

Osage City blows open game late against Viking girls

BY KEVIN GAINES THE ANDERSON COUNTY REVIEW

RICHMOND - Through three quarters, the Central Heights Lady Vikings more than held their own against one of the top 5 teams in the state, Osage City (14-1), before falling flat in the fourth in a 41-18 defeat.

easy win.
Viking head coach Doug North was obviously pleased with how the first three quarters went before the collapse.
Roehl was one of just three Vikings to score, leading the way with 11 points.
"We hung around with one of the top teams in 3A for the first 3 quarters as we were only down by 3 heading into the fourth quarter. I was disappointed that we let it get away from us in the 4th quarter. People are going to look at the score and not realize how well we played for 3 quarters. We've played well in stretches and we have to try and find a way to put 32 minutes together. I was really proud of our effort and our fight this evening," North stated.

Osage City jumped out to a 12-7 lead after the first before the Vikings defense stifled the Osage City offense, limiting them to just 2 points over the next 8 minutes to cut the half-time deficit down to 14-12.
The defensive battle continued after halftime. Osage City scored just 7 points in the third, countered by 6 points by the Vikings to seemingly set up a thrilling fourth quarter with Osage City clinging to a 21-18 lead heading into the final period.

Box Score
Osage City 12 2 7 20 - 41
Central Heights 7 5 6 0 - 18
Individual Scoring
Osage City - Gantenbeing 2, Devoll 6, Davis 2, Stark 2, Kirkpatrick 15, Serna 8, Kerns 6
Central Heights - Roehl 11, Meyer 2, Higbie 5



The most reliable overnight shipping service, available 24-hours-a-day!
Saturday delivery available too!

Federal Express - Overnight Delivery
The World On Time®

Located at
Garnett Publishing, Inc.

112 W. Sixth Street, Garnett, Kansas

Ben Yoder, Your Kansas Realtor/Auctioneer
The Kansas Property Place, LLC
Cell/Text (785) 448-4419
Office (785) 448-3999
www.KsPropertyPlace.com
Ben@KsPropertyPlace.com
501 E. 4th Ave., Garnett, KS

Specializing in Real Estate and Farm Auctions

Anderson County news DAILY at 8 a.m. 10.37 FM • 1220 AM

KOFO 103.7 FM • 1220 AM

CALL AHEAD- PICK UP (913) 898-6211

Monday: Tacos & chicken enchiladas
Tuesday: Open-face roast beef
Wednesday: Fried chicken
Thursday: Meatloaf
Friday: Chicken fried steak or chicken fried chicken
Saturday: Wings- EVERY Saturday!
1st Saturday: Ribeye Steak
2nd Saturday: Chicken Enchiladas
3rd Saturday: Boiled Shrimp
4th Saturday: Fried Catfish
5th Saturday: Sue's Choice

Every Sunday 11 a.m. - 2 p.m. Homemade PAN-FRIED CHICKEN

Sunday: Homemade pan-fried chicken w/sides

We have pizza!

Where customers are treated like family!
I-Stop Gas ♦ Store ♦ Café ♦ Bar I-Stop
423 E. Woodward St. • Parker, Kansas

BUY 3, GET 1 FREE ON CLASSIFIED DISPLAY ADS!

The Anderson County **Review**
Garnett, Kansas
(785) 448-3121 • FAX (785) 448-6253 • review@garnett-ks.com

REAL ESTATE
Brokers and Related Services
Also, be sure to check the Review's Regional Classifieds for listings.

Benjamin Realty
Sherry Benjamin, Broker
Land • Homes • Commercial

201 N. Maple
Garnett, Ks 66032
benjaminrealty@earthlink.net

Office: (785) 448-2550
Home: (785) 241-0532
Cell: (785) 304-2029

AFFORDABLE HOME LOANS
Serving The Area Since 1899
GSSB FDIC
GOPPERT STATE SERVICE BANK
Garnett • Colony • Hepler • Ottawa • Pomona • St. Paul • Walnut

Check out the LAND & HOME REVIEW for local Real Estate Listings the first Tuesday of each month in

The Anderson County **Review**

To be added to this once-a-month real estate guide
Contact the Review (785) 448-3121

The Anderson County **Review**

SONIC Coca-Cola One

Top Dog of the Week!

Ashton Miller
ACHS Bulldog wrestler Ashton Miller was 3-1 and finished 3rd at Burlington Regionals last week to qualify for substate this week.

Top Dog of the Week wins a \$10 Sonic gift card and our special recognition vehicle window decal. Watch for them on the road, and each week in

The Anderson County **Review**

CALENDAR

Tuesday, February 16
 10:00 a.m. - Storytime for Preschoolers - Online
 12:00 p.m. - Rotary International Club Meeting
 5:00 p.m. - Anderson County Economic Meeting
 5:30 p.m. - BPW Meeting
 6:00 p.m. - Planning Commission Mtg.
 6:30 p.m. - American Legion Bingo (cancelled this week)
 7:00 p.m. - Alcoholics Anonymous

Wednesday, February 17
 1:00 p.m. - Duplicate Bridge - Cancelled

Thursday, February 18
 9:00 a.m. - TOPS Meeting
 4:00 p.m. - Walker Art Committee Mtg.
 7:00 p.m. - Alcoholics Anonymous

Sunday, February 21
 9:00 a.m. - VFW Breakfast

Monday, February 22
 9:00 a.m. - Anderson County Commission Meeting
 1:00 p.m. - Anderson County Caregiver Support Group
 6:00 p.m. - Celebrate Recovery

Tuesday, February 23
 10:00 a.m. - Storytime for Preschoolers - Online
 12:00 p.m. - Rotary International Club Meeting
 6:00 p.m. - City Commission Meeting
 6:30 p.m. - American Legion Bingo
 7:00 p.m. - Alcoholics Anonymous

Wednesday, February 24
 1:00 p.m. - Duplicate Bridge - Cancelled

Thursday, February 25
 9:00 a.m. - TOPS Meeting
 2:00 p.m. - Harvester's Emergency Food Assistance Program
 7:00 p.m. - Alcoholics Anonymous

Monday, March 1
 9:00 a.m. - Anderson County Commission Meeting
 9:00 a.m. - Friendship Quilters Meeting
 4:00 p.m. - Greeley PTO
 6:00 p.m. - Celebrate Recovery
 6:00 p.m. - Garnett Lions Club Meeting
 7:30 p.m. - Kincaid Masonic Lodge No. 338 Meeting

Tuesday, March 2
 10:00 a.m. - Storytime for Preschoolers - Online
 12:00 p.m. - Rotary International Club Meeting
 4:30 p.m. - Tourism Advisory Board Mtg.
 5:30 p.m. - Garnett Community Foundation Board Meeting
 6:30 p.m. - American Legion Bingo
 7:00 p.m. - Alcoholics Anonymous
 7:00 p.m. - Garnett Senior Center Board Meeting

Wednesday, March 3
 1:00 p.m. - Duplicate Bridge - Cancelled
 5:30 p.m. - ACHS Booster Club Meeting
 5:30 p.m. - Garnett Elementary Site Council
 6:00 p.m. - GES PTO Meeting
 7:00 p.m. - Colony Lions Club Meeting
 7:00 p.m. - Kincaid Lions Club Meeting

Thursday, March 4
 9:00 a.m. - TOPS Meeting
 6:30 p.m. - USD 365 Endowment Assoc.
 7:00 p.m. - Alcoholics Anonymous
 7:00 p.m. USD 365 BOE Meeting



THE ANDERSON COUNTY REVIEW 2-16-2021 / SUBMITTED

Westphalia 3rd and 4th graders wearing their Chiefs attire the week of the Super Bowl.

Sharing our secrets

Glenn Brunkow, Pottawatomie County farmer and rancher

So, you want to be in animal agriculture? You get to be your own boss, but the pay is lousy. Still the life is generally good. Weeks like this past one makes us reconsider our choices in vocation and, at times, our ability to make sane, rational decisions.



Brunkow

Yes, the past two weeks have brought us record- or near-record-low temperatures and snowfall. Conditions have been miserable to dangerous, but we knew what we signed up for to live this life. While we may not always like our jobs, we still love what we do. Sometimes we need to remind ourselves of that and show others how much we care.

To say it has been a grind would be an understatement. I do not know about you, but I found it hard to go out every morning, and each day felt kind of the same with no end in sight. It was tough and hard. I would dare say none of us enjoyed the past two weeks, but you know what? Not one of us called in sick. We did not take any days off because of the inclement weather, and none of us stayed inside where it was warm and safe. Most of the rest of the world would ask one question — why?

Because that is what we do, that is who we are, and our livestock take priority over our own comfort, sometimes even our personal safety. I know each and every one of us have felt that the compulsion to not only do our jobs but go above and beyond what was needed to ensure the well-being of the animals entrusted to our care. We went out in the dark and cold, in the face of the howling wind and biting air to make sure our livestock had the best of care. We used extra resources, pushed machinery to the brink and ran ourselves ragged because of that nagging, gnawing need at our core to take care of the animals dependent on us.

While all of this was happening, our customers probably did not think twice about our work. Shame on us, we need to make sure our consumers know how much we care for the animals we raise. They need to know about the sacrifices and the hardships farmers and ranchers go through in extreme weather to ensure the health and safety of livestock. We just do not do a better job telling our story.

I know we are busy trying to get things done, and we do not take the extra step of sharing all we do. I get it, and I am guilty of not sharing enough, too.

Telling our story is especially important when times are toughest. No one else is going to. In fact, there's plenty of groups eager to misrepresent the hard work we do caring for

our animals because we're not telling our story.

We are the best kept secret in animal care, and that's a shame. While we may not like making the extra effort to talk about our work, I believe it is worth showing everyone the love and care we have for our profession.

"Insight" is a weekly column published by Kansas Farm Bureau, the state's largest farm organization whose mission is to strengthen agriculture and the lives of Kansans through advocacy, education and service.

Frontier Extension District to hold "Heifer Selection and Management" meeting

The Frontier Extension District will hold a virtual meeting on "Heifer Selection and Management," February 24, beginning at 7:00 p.m. To register for the zoom presentation, please call the Extension Office in Ottawa at 785.229.3520 or by emailing madisonmb@ksu.edu. We would like your name, phone number and email. Zoom details will be mailed out a day or so prior to the meeting. Jaymelyn Farney, KSU Beef Systems Specialist, will be the evenings featured speaker.

When you go to the heifer

A new pitch for the same old poop

I have a friend who's selling horse poop.

I love a great sales idea, but even I had to second guess this one. But he swears it works.

He makes money with his stable operation near Kansas City by renting stalls and providing feeding services to folks who keep their horses there. As he explained it, once the poop's on the ground it belongs to him — he has to clean it up anyway. During the recession a few years ago he lost some clients but still had their horses' poop, so he got inspired.

He said people used to call occasionally to come get some manure for gardens or lawns, but his idea was to bag the dry manure in those plastic grocery sacks that everybody has a million of and sell the smaller quantities downtown where people had only a few potted plants or small box gardens. He sold the bags for two dollars apiece or three for \$5, and sold more than 600 bags in a day and a half. Not only did he make some quick cash, he networked two larger accounts to which he now hauls manure, as well as several folks who now drive out to his location to shovel their own.

I call it a "re-introduction" strategy. It's the idea of taking an existing product or service — maybe even one that's stopped selling — and coming up with a new way to market it that appeals to different values in existing or new customers.

Think "lite." The lower fat food craze that started in the late 1970s became a multi-billion industry among those of us who'd like to shed a few pounds, but its basis is about as simple as

HOW TO SELL STUFF



Dane Hicks
Review Publisher

you can imagine — just sell less product for more money. There is no magic formula or process that makes foods lower in calories — smaller, sometimes re-designed packages of the same foods obviously have fewer calories. Voila — a lighter, healthier alternative — and nearly always sold at a premium price.

Your products or services may be candidates for re-introduction or re-purposing in a similar way. Try thinking of them in terms of addition, subtraction, combination and relocation. When sales of Mr. Clean were dropping and Gain laundry detergent sales remained strong, Procter & Gamble added Gain scent to Mr. Clean to cabbage onto Gain's popularity. Can you sell in larger or smaller quantities? Can you add something — a wedding or events venue might offer outdoor fireworks for example — to be more novel?

You can even ask groups or customers through small focus groups or surveys what uses they've found for your product or service which might have eluded you.

If it can work for horse poop, running your old products through these exercises can find new ideas and markets for them too. And that can help you sell stuff.

er pen to select heifers for the upcoming breeding season, you are making choices that will influence your profitability for many years. How do know which ones to keep or which ones to sell? We will discuss some of the things to consider when making heifer selections.

Once the heifers are selected, management and heifer development play an important role in getting your heifers bred and through their first calving season. We will discuss immunizations for breeding heifers, what weight they should be

at breeding, if you can use ionophores in their growing rations, if pelvic measurements are important, and when selecting a sire, how much calving ease is needed. These things and more will be discussed during our 45 minute zoom meeting with Dr. Farney.

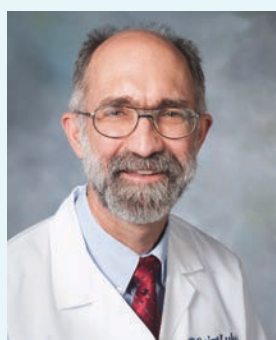
The meeting will be recorded for later viewing on the District's web site at: <https://www.frontierdistrict.k-state.edu> and will also be available for viewing on Facebook live.

Please mark your calendars and get registered today!

Four Color Printing • Now available at Garnett Publishing, Inc. (785) 448-3121

Quality Care is Minutes Away

Anderson County Hospital is part of Saint Luke's and offers local access to advanced specialty providers.



James Sear, MD

Cardiology

James Sear, MD, is a board-certified cardiologist who has nearly 30 years of experience treating patients in all aspects of general cardiology. His clinical interests include heart disease, nuclear cardiology, and valvular heart disease.

See an expert at our Specialty Clinic:

- Audiology
- Cardiology
- Dermatology
- Ear, nose, & throat
- Endocrinology
- Gastroenterology
- General surgery
- Nephrology
- Neurology
- OB/GYN
- Ophthalmology
- Orthopedics
- Pain management
- Psychiatry*
- Pulmonology*
- Rheumatology
- Urology
- Veterans' clinic

*Services are offered through Telemedicine

◆ Find a clinician

saintlukeskc.org/anderson
785-204-8000

**Anderson
County Hospital**
SAINT LUKE'S HEALTH SYSTEM

the intersection of
INNOVATION • HOPE

GAS...

FROM PAGE 1

448-5428 if they arrive at the center and the doors are locked. Daily low temperatures in the Garnett area were expected to edge above single digits on Friday, with highs in the 20s and 30s after Wednesday.

Luke Jackson with the commodities and reporting firm S&P Global told the Review Sunday the price spike was the result of a "perfect storm" of cold weather that pumped demand for natural gas and cold-related operations problems that limited production.

"The short answer is the spike in prices is being driven by record natural gas demand paired with a large cut in production from freeze-offs," Jackson said. 'Freeze-offs' involve situations where gas wells and gathering lines freeze due to the cold weather and shut off production, Jackson said.

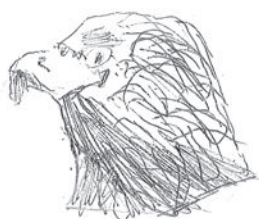
Market tracking from S&P said record breaking demand across the Midwest and Rockies due to the intense cold had driven prices up over \$500 per unit at some locations, and higher prices were expected early this week before temperatures began to warm toward Thursday and Friday.

"At locations across Kansas, Oklahoma and Eastern Arkansas, hub prices were trading at single-day record highs around \$200 to \$300/MMBtu.," S&P's website said Sunday "Regional hubs, which typically service only limited local demand, saw fierce competition among shippers, utilities and end-users looking to meet weekend requirements."

Temperatures in Garnett dipped to single digits late last week and hit -7 on Monday.

Homeowners were being encouraged to try to reduce gas consumption as possible in the interim.

The Anderson County
Review



Miles Poe • Sixth Grade • St. Rose • Mrs. Rockers

Creative Kids

Welcome to the Review's annual Creative Kids creative writing and advertising design section. Each year we tap the resources of local school students' creativity in the 4th, 5th and 6th grades. Students can write on any topic they choose in any format; area advertising clients also participate by sponsoring space and selecting the ads you see here from among competing ad designs. The Review awards cash prizes of \$25, \$15 and \$10 for 1st, 2nd and 3rd places in each grade, with additional top honorable mentions published here as well. Thanks to our advertising clients, participating teachers and our students for making our annual contest possible.

Mrs. Norma Rockers 6th grade class at St. Rose School won a pizza party for having the most ad design entries.

Silly Mia

By Brody Weiser
 4th Grade, Westphalia
 Mrs. Madden
 First Place

Mia loves to run in the sun,
 And have some fun.
 We've had her a year,
 My mom thinks she's a terror.
 She doesn't understand

personal space,
 She's always up in my face.
 At least she goes to the bathroom outside,
 That way my mom doesn't have to tan her hide.
 Mia has really stolen my heart,
 And we never have to part.



Buster

By Marilyn Yoder
 5th Grade
 Central Plains School
 Mrs. Kauffman
 First Place

Buster was a dog – a watchdog, and his master had just bought him yesterday. Not many people knew about it, but they knew Buster's master – Mr. Duncan. And they also knew Mr. Duncan had a LOT of money and other kinds of riches. He lived in a big mansion and also had lots of servants.

One cold winter day Mr. Duncan and a few of his servants went on a trip to Florida where it was warmer. They didn't want to take Buster along so they left him there with some servants that were going to stay at home. Since Buster was a watchdog, he

had to sleep outside in a doghouse. Of course, it was filled with straw but still he lay there shivering. Mr. Duncan had moved the doghouse so that it was almost hidden in the bushes, that way Buster had a windbreak. There was a small forest beside Mr. Duncan's house that burglars often liked hiding in.

After Mr. Duncan left, the robbers snuck out of the forest. Their names were Sneaky, Slim and Loudmouth. Sneaky was very slim and Loudmouth was extremely loud. They didn't know Mr. Duncan had bought a dog. So they quietly opened the door. The servants had already gone to bed since it was becoming dark outside. Then they quietly tiptoed upstairs where all the money was.



"Good thing Mr. Duncan doesn't have a dog!" Loudmouth said. "Shhh!" Slim hissed. "Shut UP!"

Sneaky whispered fuming. Sneaky was the leader and he often wished he wouldn't have had asked Loudmouth to join their team. But they didn't know that the youngest servant who was 11 had been going to her room and heard them and started following them quietly. When she saw that the robbers were going to steal things, she quickly ran outside in the wind and got Buster. She told him to be quiet and hoped with all her might that he wouldn't give them away. Then she took him into the house and went upstairs. Fortunately the

stairs and floors were carpeted and Buster's claws didn't click on the floor. Then she went into her father's room and woke him up quietly. He asked her what she was doing and why she had Buster.

"There are robbers in the house!" she whispered quietly. Quickly her dad Mr. Woodman jumped up. "Stay!" he told Buster then turning to his daughter Lily he said "Stay here with Buster and I'll get a rope." Mr. Woodman went outside soon he came back quietly. Lily, Buster and Mr. Woodman went to the room where Sneaky, Slim and Loudmouth were. There they caught them and tied them up. Then they took them to the police.

The end.

Danger in the Jungle

By Preston Blaufuss
 6th Grade, Crest
 Mr. Zimmerman
 First Place

Danger in the Jungle
 Book 1

"Tower one do you copy?" (Static) "Tower one do you copy over?" "Cody Check the engine lights!" said Cole. "I will Cole." said Cody. "They're all red!" said Cody (Engine sputtering) "We're going down!" said Cole. Hold on tight back there (screaming)!" said Cole. "Ahhhhh!" said both of them. Brace for impact!" said Cole.

(Crash) "Am I dead?" said Cody. "No you are not," said Cole. "I can see stars," said Cody. "Yeah I know you hit your head pretty hard" said Cole. "Not really stars!" said Cody, "Where in the world did we crash land" said Cody. "I do not know but this is probably one of the only clearings

in the jungle," said Cole, "Can we salvage anything from this wreckage Cody?" said Cole. "No we can not," said Cody. "Great now we have to survive and remember how they did it in the hunger games." said Cole. "Please do not start on that again (moaning)." said Cody.

"Uh hey, Cole what is that?" said Cody. "Where show me please?" said Cole. "It is over here (screaming)!" said Cody. Cody where did you go (rising panic)?" said Cole, "Cody where are you!" said Cole. "Where are you ahhh" said Cole. "Wait Cody, oh here you are! (thunk)," said Cole. *To Be Continued...*

You Betrayed me
 Book 2

"Why did you hit me over

the head?" said Cole. "I'm sorry, Cole I was told to," said Cody. "Told from who?" said Cole. "By the ruler." said Cody. "Ruler... what ruler and you never told me about this!" said Cole. "Sorry but it was none of your business and I am not supposed to tell." said Cody. "Oh yeah I forgot to tell you I sabotaged the plane and brought you here as a prisoner secretly." said Cody. "I thought we were friends!" said Cole. "We were never friends." said Cody.

"Bye have a nice day hahaha (evil laughing)!" said Cody. "Come here you or get tortured." said Prisoner guard. "Fine I will." said Cole. "Welcome to Doom Prison." said Prisoner guard. "Why is it called Doom Prison?" said Cole. "You will find out haha!" said Prisoner Guard. "Here we are at your cell."

said Prisoner guard. "Okay my cellmates, I guess I will get to know them." said Cole. "Who are you (gruff voice)?" said Jacob. "My name is Cole yours (frightened)?" said Cole. "My name is Jacob and they are Geroge, Lisa, and Jordan." said Jacob. "Hi they all said." I have something to tell you have bad luck you arrived right before we go to the Temple of Doom." said Jacob. "What!" said Cole.

Temple of Doom
 Book 3

"We will be picking cells A20, B5, A22, and C12. We will be letting you pick a weapon and a shield." said the Warden. "The thing I told you yesterday meant we would get picked because people always get picked first when someone joins." said Jacob. "Are we in cell A20?" said Cole. "Yes and... Choose your weapons!"

said the Warden. "Cole what shall you have?," said the Warden. "I will have a sword!" said Cole. "Why did he not ask you guys or them what you shall have?" said Cole. "They know because we have training practice." said Jacob. "You guys have training practice... sheesh." said Cole. "Come on prisoners," said the Guard.

"5 minutes later... Look out incoming!" said Cole. "(Clash of swords) Look out Jordan (Body falling)!" said Cole. "Jordan no no do not die please!" said Jacob. "Jacob we have to leave him if we do not go we will be killed too. Do you think he would want that." said Cole. "They are teaming up, run!" said Cole. "They have a... ahhh help!" said Cole. "Cole hold on!" "Heave come on... Okay you're safe now" said Jacob. "(Cole. feeling an immediate pain in stomach)

Cole you will be fine you will be fine." said Jacob. "Help is coming." said Lisa. "Cole stay awake." said Jacob.

Narrator: He just went unconscious and the thing that knocked him to holding onto a ledge was a catapult. *To Be Continued...*

The Stories End
 Book:4

"Years later, it is just the three of us: me(Jacob), Lisa, and George." said Jacob. I am 48 nowadays. Years have passed and I miss them both. They will always be remembered by us three. Me and Lisa are now married. George has fallen ill and will not recover. My wife Lisa is sick but will recover but, things will never be the same without them. They will always be in my heart. The End

Katzy Custom Structures
 24917 U.S. 169
 Garnett
 8 am. - 5 pm Mon-Fri
 (785) 448-2191

KCS
 Specializing in
 Post Frame
 buildings
 Hobby shops
 & more

Xavier Carver • Sixth Grade • St. Rose • Mrs. Rockers

State Farm
 Ryan Disbrow
 agent
 M-W-F 8:30-5:30
 T-Th 8:30-7
 weekend by Appointment

Grant Nienstedt • Sixth Grade • Garnett • Mrs. Graham

East Kansas
 Agri-energy
 Fuel for the Future

2nd

Sage Partida • Fifth Grade • St. Rose • Mrs. Rockers

A Snowy Wonderland

By Asher Modica
4th Grade, St. Rose
Mrs. Foltz
Second Place



There are kids constructing snow fortresses. The other kids are bringing out their tools for making snowballs and snow

It's finally winter and many fallen leaves are being covered with snow. This wonderland is a fantastic land for the youth. This wonderland is a land for the imagination.

forts. The others are putting accessories on snowmen. In many weeks the snow is melting, and the flowers are blooming. Oh, what a wonderful winter it was.

The Fishing Trip

By Lori Chupp
5th Grade, Central Plains
Mrs. Kauffman
Second Place



said, "I bet I'm going to catch the biggest this time." Ken just said, "I don't believe you because you always say that but of course you never do."

Once there were two brothers and the oldest name was Ken and the little brother's name was Wayne. And they both loved to go fishing. One day Ken said, "Let's go fishing." Wayne replied "Oh, yes, let's" and they went to get the fishing tackle. When they were ready to go, Wayne

So the two boys went and tossed their lines out. And waited for a little bit. Then the line on Wayne's pole began to tug. Wayne began reeling and said, "This is going to be a big one,

alright." And pulled the fish to the bank of the creek. "Wow, that is a huge old bass," said Ken coming over to look at the fish. "Yes, I knew I was going to catch a bigger fish this time," Wayne said. Well you proved it anyway so we might as well go home and eat that big fish," Ken said. And that was the end of Ken's bragging about catching the biggest fish.

The End

Ferdinand the Steer's Diary

By Rylee Hill
6th Grade, St. Rose
Mrs. Rockers
Second Place



They then put the ropes on me and walked me to this thing that checked my weight and while I was being weighed they put a tag in my ear and it felt like they stuck a knife in my ear. It's been an awful day.

Day 1
Dear diary, Hi I am Ferdinand I currently live outside of Fort Scott, well I don't exactly know what a state is yet, but anyways. I am a black angus steer and may I tell ya I am living the dream out here... gotta go my humans are coming with my bottle and some funny smelling friends.

me. She also talks a lot, she keeps going on and on about how I have to walk so she can show me in this thing called a fair...sounds dumb if you ask me like who would want to watch a cow get walked. Here she comes, gotta go.

Day 3
Dear Diary, my new humans took me to the fair thing that the little girl was talking about and did I tell you that her name is Rylee. It's been a really long day for both me and my humans. First they loaded my grain and bowls in this big blue box and here is the craziest part... they put me in it! Then they got in the thing that they called a truck and drove it to this fair thing with the box that I was in hooked up to the truck.

Day 4
Dear diary, I was awoken from my slumber today just to have ropes put upon me and the little girl walk me at midday. I was given a bath. The little girl then took me in this thing with a bunch of other children and calves to be walked. I didn't feel like being walked but there were so many people that I wanted to avoid the udder embarrassment. So I walked

and I apparently did good because I got lots of food after the trauma of walking.

Day 5
Dear diary, the fair is over finally! I gotta go home but instead of going back to my stable I was put in the field. At first I knew something was wrong but then when Rylee came down she said that she had news for me and she knew I wasn't going to like it and boy was she right. She told me I was going to get a sister! Like who does that to someone as sweet as me. Gotta go, the birds are coming over to chat!

Day 6
Dear diary, my sister came and boy is she annoying. All she does is talk about these friends of hers there is a dog which I knew about along with the cats,

but she talks about this goat named Danny! I didn't even know we had a goat! She says Danny looks like a short fat dog with long ears and spots on her back and belly! Gotta go, the cats and dog are coming over to play!

Day 7
Dear diary, Rylee's dad got in the field to play and boy did we have a ball! He is so fun to play with, we played hide behind the tree. It's a game where he would be on one side of the tree and I would stand on the other side and try to find him! It's really fun. We also raced back to the door when he was ready to go to the house. My sister is never that fun; she just likes to do this thing that she calls sunbathing. It's like this thing where you lay in the sun and stay

there all day except to go to the bathroom. It's weird.

Day 8
Dear diary, Rylee came down to feed me today and she looked sad, I know that she had sold her goat but she got over it. When she was explaining to me what was going on she said that dad sold me to someone else to butcher as meat. I was furious, I thought that dad and I were pals! Like really man how dare you! She also said that I am going to the butcher in March, I better make the best of my very last days. Well this looks like the end of my diary. See you someday in heaven hopefully. Goodbye. Oh here comes the dog!

The End.

The Adventure of Super Gus-Gus

By Zac Carver
4th Grade, St. Rose
Mrs. Foltz
Third Place



His villain is Mr. Whiskers. He was the evilest villain in the world. He ate all the guinea pigs, but Super Gus-Gus saved the day! He used his super strength to push him away from Guinea Topia. Mr. Whiskers flew all the way to the moon.

There was a guinea pig. He was experimented on and one day he felt different. He started levitating and he started breathing electric and he felt strong. Then he visited his sick dad. After that visit, his dad was cured.

Kansas

By Sage Partida
5th Grade, St. Rose
Mrs. Rockers
Third Place




Kansas is a place we go
Kansas is a place we know
We live in Garnett
Where there is no threat
So hop on a bus
And come join us
At St. Rose
Where our faith grows.

That One Carrot

By Christopher Barnett
6th Grade, St. Rose
Mrs. Rockers
Third Place



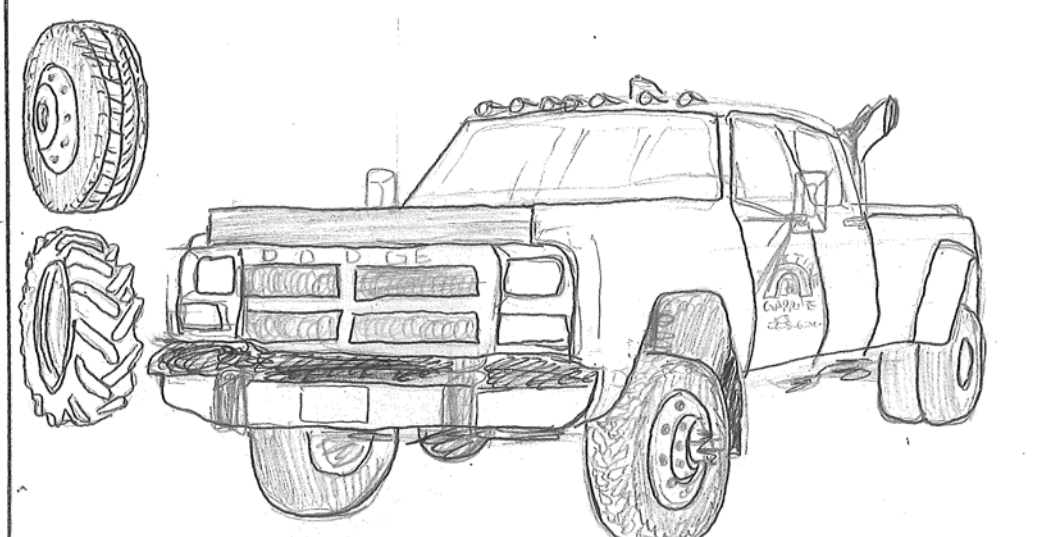
I remember that one carrot walking down the street. That one carrot for some wierd reason never made a peep. Oh the times we had, they were so much fun But now it's time, yes we are done "Crunch gulp"




8am - 5pm Mon-Fri
8am - 12pm Sat
601 S. oak
GARNETT, KS

- Oil changes
- alignments
- Tires for all your needs
Car, truck + farm
- Flats fixed
- On the Farm tire repair

(785) 448-3212



Wyatt Whitham Sixth Grade · St. Rose · Mrs. Rockers



Benjamin Realty

201 North Maple St. Garnett, KS
785-448-2550
Realtor: Sherry Benjamin
Broker

Land · Homes · Commercial

When buying or selling
REMEMBER SHERRY

Lydia Foltz · Sixth Grade · St. Rose · Mrs. Rockers

1-Stop

Where all customers are treated like family!

Gas ◊ Store ◊ Cafe ◊ Bar

Call ahead Pick-up!

- Family-style Pan Fried Chicken every Sunday!
- We have pizza!
- 423 E. Woodward Parker, KS
- Phone: (913)-828-6211
- Hours: Mon-Thur = 5:30am-9:00pm
Fri = 5:30am-10:00pm
Sat = 7:00am-10:00pm
Sun = 8:00am-5:00pm

Rylee Hill · Sixth Grade · St. Rose · Mrs. Rockers

20102 NW. 1600 Rd.
Garnett, KS.

ALLEY

Building Packages

• Metal Roofing

• Windows & Doors

MEN

SUPPLY

Manufacturers of
Metal Roofing & Trim

(785) 448-1614

Owen Rockers · Sixth Grade · St. Rose · Mrs. Rockers



Mysterious Bush

By Aubrey Bernsten
4th Grade, Crest
Mrs. Hermreck
Honorable Mention

Once upon a time there was a little girl. She was lost in the woods. Then she came upon a bush, but there was something wrong with the bush.

Whenever the little girl would look deep into the bush, arms would reach out and try to grab her. One night the little girl got too close to the bush and the monster grabbed the little girl. She was never seen again and to this day, her soul is at that bush.

A Story by Kale

By Kale
4th Grade, Westphalia
Mrs. Madden
Honorable Mention

One time I went to South Dakota to my Aunt's house.

When I got there, I played in the snow. I got bored and went inside. The next morning, we ate donuts and went bowling. Then I went ice fishing. It got cold and we went home. Next morning, we went home.

The Trip

By Paislyn Foltz
4th Grade, St. Rose
Mrs. Foltz
Honorable Mention

Hi, I'm Meg and this is a few days before "The Trip." If you don't know what "The Trip" is, it is something my family does every two years. This year we are going to South Fork, Colorado. Right now, I'm packing up for "The Trip." We are staying for five days and there are going to be a bunch of activities like hiking and swimming. I really like reading, and

on my trip, I'm going to pack a lot of books for the way there and back. Today is the day we leave for Colorado. Did I mention some of my cousins are coming? We are finally almost there. We have about twenty more minutes and I've read almost four books. I took about seven naps and my brother Michael challenged me to not take a nap, but at eight o'clock at night we can sleep. WE'RE HERE! We are finally here. This has been a long trip but now it's time to have some fun.



Daisy the Pig

By Amanda Chupp
4th Grade, Central Heights
Ms. Gingerich
Honorable Mention

One time there was a pig, and her name was Daisy. She came out one day. I saw her run past the window and soon the neighbor ran past the window. So, I ran out to help catch the pig. The neighbor was very tired of running. I dove for the pig and missed and fell into the mud puddle. Now I was muddy, but I kept on chasing Daisy. I dove again and got the tail. Daisy squealed and the neighbor ran over and got the pig. The neighbor went home to fix the fence.

My Grandpa

By Dixon Brooks
4th Grade, Westphalia
Mrs. Madden
Honorable Mention

My Grandpa was in the army. I am so blessed he made it back. He fought so hard. I got a dog tag that has his name on it. If I would've been born when he came home, I would've cried. I love him so much.



A Story by Kallen

By Kallen
4th Grade, Westphalia
Mrs. Madden
Honorable Mention

This is a story about my dream dog. My dream dog is a husky - black and white, fluffy, cute, good and awesome. I will train him to be better than good. He will be a fast runner and I would love the dog a lot. He would be the best and I would teach him cool tricks. I really wish for one.

Dine in - 10:30^{am} - 7^{pm}

Garnett Dairy Queen
212 N. Maple Garnett, KS

(785) 448-5800

Gage Jones • Sixth Grade • Crest • Mr. Zimmerman

BECKMAN MOTORS

(785) 448-5441

North Highway 59 in Garnett KS

CHEVY
BUICK

Landon Wyatt • Sixth Grade • GES • Mrs. Graham

Breakfast Served all day
"America's Favorite Drive-In"

SONIC

Morning Drink Stop Large
Drinks 99¢ open to 10am.

Happy hour - all drinks and slushes 1/2 price 2-4 pm, everyday

Kylee Guyett • Sixth Grade • Central Heights • Ms. Dunn

Anderson County

Review

Since 1865
GARNETT, KS

Award winning

Locally owned

(785) 448-3121 • 112 W 6th

Demi Miller • Sixth Grade • Central Plains • Mrs. Kauffman

TRAPE WINDS

Bar and Grill

110 W. 5th Ave. Garnett KS
TUS - Sat 11a.m - 11p.m
(785) 448-5856
Daily Specials Call in, carry out

Kathy Yoder • Sixth Grade • Westphalia • Ms. Winter

Brummel Farm Service

Address: 8th and Oak Street Garnett, KS 66032

Hours: Monday - Friday 7:30am to 5:00pm, Saturday 7:30am to 12:00pm, Sunday Closed

We sell: Fertilizer, Herbicides and Pesticides

Phone Number: 785-448-5720

Lydia Foltz • Sixth Grade • St. Rose • Mrs. Rockers

Garnett, KS 66032
www.fsbkansas.com
(785) 448-5451
517 S. Oak

Pleasanton (913) 352-8437
Blue Mound (913) 756-2221

Farmers State Bank

FDIC

Friendliest Bank in Town

Anabel Risch • Sixth Grade • Central Heights • Ms. Dunn

Ottawa office - adults & children
Address: 1075 Main City, Ottawa
Hours: Monday - Friday 8am - 5pm

Phone: (913) 401-2750

Healthcare services for:

- Medical
- Dental
- Behavioral Health
- Community Outreach
- Homeless

1st

Health Partnership CLINIC

Heidi Foltz • Fifth Grade • St. Rose • Mrs. Rockers

Harry the Hilarious Hyena

By Koily
5th Grade, Crest
Mr. Zimmerman
Honorable Mention

Hello I'm Harry the hyena. Well, you can probably tell that from the title, but I said it anyway. So, where was I?

Oh, my little sister's name is Hissy. Guess why. If you guessed because she's a sassy little brat, you'd be right. Hey, do you want to hear a joke? Why do seagulls fly over the sea? Because if they flew over the bay they would be bagels! I'm hilarious aren't I?

Amelia

By Lily Morgan
6th Grade, St. Rose
Ms. Rockers
Honorable Mention

Hi my name is Amelia I was born blind and this is my story. "Amelia hurry up" said Amelia's mom, Ms. Green. I'm just finishing up getting dressed" said Amelia from her bedroom. Since Amelia was blind her mom would always set out her clothes on her bed. "Hurry we need to go" said Ms. Green. "I'm almost done I just have to grab Jipsy" said Amelia. Jipsy was Amelia's guide dog and they were the best of friends. Honestly Amelia didn't really have any human friends because she wasn't all that trusting. "All right let's go," said Ms. Green. Then they got in the car with Amelia and her mom in the front and Jipsy in the back, then they were off to school. Amelia recently started at St. John's School. Since Amelia was unfamiliar with the building, Ms. Green led her to her classroom, and to her seat. "Amelia" Ms. Green said. "Remember how I said my job was a surprise well I'm the 5th grade teacher." "Oh hehe ... really" said Amelia pretending to sound enthusiastic. "That's great". "Now" said Ms. Green walking to the front "let's start by introducing our new student, Amelia." Amelia pet Jipsy, stood up, and said "uhh hi my name is Amelia", some of the other students snickered, "I am blind in both eyes, that's why I have Jipsy my seeing eye dog" she gestured at Jipsy and sat back down. "Okay let's learn shall we?" said Ms. Green. Later at recess, Amelia was sitting on a bench petting Jipsy, when she heard someone walk up to her. Then a girl's voice

said, "So you're the defect." "What?!" said Amelia. "I said..." the girl began. "I heard you," said Amelia, starting to cry. "Fine then, I'll leave you and your mutt to your thoughts, cry-baby" said the girl. Later that day, Amelia sat on her bed thinking about what the girl had said, was she really just a mistake, a defect. Then she heard the door open. "Amelia I'm going to go pick up some milk and.... Amelia what's wrong?" said Ms. Green. "Mom I had an awful day" said Amelia starting to cry again "At recess ... a girl ... she called me a defect." said Amelia still crying. "Oh Amelia, is there anything I can do to help?" asked Ms. Green, hating to see her daughter upset. "Sweetie maybe if you only talked to them they would understand, how about you come to the front and say something at the end of class." "Okay mom." The next day Ms. Green told the class Amelia was going to do a speech at the end of the lesson. When it was almost time for Amelia to talk in front of the class someone walked up to her "You think you're so special, well this won't change anything you'll always be a defect." said the girl that had teased Amelia the day before, who's name was Ethel. "You've made your point very clear." said Amelia, keeping her temper. During Amelia's speech she talked about her hardships, and how she had to do things differently, but that she was still just a kid like them. After her speech Amelia thought that everyone had a little bit better understanding of her and what she went through. "She's not that special." said Ethel. Though no one heard her because everyone was talking to Amelia.

Full Power

By Heidi Moyer
5th Grade, St. Rose
Mrs. Rockers
Honorable Mention

Chapter 1 April's Begging
There was a little girl named April, she was only three. She begged and begged so she could do gymnastics a little earlier but her father said "no!" She was wondering why but her mother and father said "you can only be four to do gymnastics here." She went to her room speechless and stomping. The next day she was still mad. Her mom and dad had to leave for work early in the morning. She practiced a lot of gymnastics at home every day with her babysitter. In three days it was going to be the best day of her life. It was her birthday. She said to herself "her life has just begun."

Chapter 2 Birthday Present

Today is April's birthday and her parents gave her the gift she had always been waiting for. It was her gymnastics sign up sheet. She was excited to start gymnastics. Her parents told her that when she got older she would move up a level. Two years later she was 6 and then she mastered a front handspring and then she mastered a front flip. She was really working hard on her back flip. Then she moved up a level.

Chapter 3 High Level
Four years of hard work. Then she was ten. Then she was getting to a higher level and she was thinking that she should move up a level without her parents knowing and she decided not to because her parents would find out.

Chapter 4 The Problem
Four years later have gone by so fast, fast training, fast weeks.

Then her friends were making fun of her because she was a lower level than they were. Just because they were 15 and she is 14. She tried to do the stuff they did. It was a roundoff back handspring back flip and she did the roundoff and landed, she did the back handspring and she said in her mind that "I can do a backflip but just remember to tuck," then she did all of the things together and landed all except the back flip and she fell right on her leg hard and fell back on the floor crying. Her friends helped her get up and go to the hospital and to get help and call her mom and tell her to go to the emergency room in the Saint Luke's Hospital and then she got her results back from the doctors and they said "gymnastics is pretty much off the table." She started crying in her mom's hand then a day later

she got to go home and then she said "it will never be the same" to her mom.

Chapter 5 The Difference
Months and months later she had gotten her cast off but then today she was going back to gymnastics even though the doctors said that gymnastics is off the table she is still fighting for her destiny and then she trained and trained, then she did some competition and then got first place and then she got a scholarship for the olympic gymnastics team. She was so excited for it and her decision is that she was going to go and then she had a great comeback of gymnastics and she set a world record for the best comeback gymnast ever and then she is starting her own gymnastics club that any age can start at any time and it became a big class worldwide gymnasium.

MILLER HARDWARE
(785) 448-3241
703N. Maple
ACE STIHL
The helpful place
trimmers + Chain Saws

MILLER HARDWARE

Wyatt Whitham • Sixth Grade • St. Rose • Mrs. Rockers

AUBURN PHARMACY
2nd
AUBURN PHARMACY helps people BIG and small!
Auburn EZ Med packaging system gives patients the peace of mind that they are getting the right medication at the right time every day.
WWW.auburnpharmacies.com

Sawyer Schaffer • Fourth Grade • GES • Mrs. Miller

BAUMAN'S
Carpet & Furniture
805 N Maple, Garnett, KS 66032, 785-448-3216
Furniture
Furniture
Furniture
appliances
appliances
appliances
Flooring
Flooring
Flooring
client: Glenn Bauman

Carter Hermann • Sixth Grade • GES • Mrs. Scott

Bank of Greeley
118 W. Brown St. Greeley, KS.
(785) 867-2010
Member FDIC
Equal Opportunities Lender

Owen Rockers • Sixth Grade • St. Rose • Mrs. Rockers

Pizza Hut
405 N. maple Garnett
(785) 448-3465
Customer: Will my pizza be long?
waiter: no sir, it will be round.
3rd

Charley Roehl • Sixth Grade • Central Heights • Mrs. Dunn

Guest at Home 785-448-6884
Assisted Living
Home cooked meals
24 hour medical services
Loving environment
Trips to eat out
BINGO
806 West 4th St.
Garnett, KS 66032

Lydia Foltz • 6th Grade • St. Rose • Mrs. Rockers

Trust Point Insurance & Real Estate
Farm Garnett City
Bath phone number
(800) 259-4219

Layla Thomas • Fourth Grade • GES • Mrs. Miller

Wittman Auto Parts
Address: 138 East 6th Avenue
Garnett, KS 66032
Hours: Monday-Friday 7:30am to 5:30pm,
Saturday 8:00am to 12:00pm,
Sunday closed
Phone number: 785-448-6611
We sell: Quality parts, accessories,
paints, tools and supplies, complete line
for cars, trucks, imports and farm
equipment
NAPA

Lydia Foltz • 6th Grade • St. Rose • Mrs. Rockers

Danny

By Rylee Hill
6th Grade, St. Rose
Mrs. Rockers
Honorable Mention

Once there was a goat; then there was a girl. The girl's name was Rylee. When they met each other the little girl knew that this was the goat that she wanted. Every time she walked by the goat she grinned and couldn't help but look. When her mother asked her which goat she wanted she smiled happily and ran over to the goat. As soon as her mother and her mother's friend that owned the goats came to her she smiled happily and pointed at the tiny goat and as she pointed she happily said "The goat I must have."

Her mother asked her on the way home what she was to name this goat as she thought she looked at her parents and said "Her name shall be Danny."

Rylee's mother could tell that she was happy but still wanted to assure her that taking care of a goat is a lot of responsibility.

"How often will you feed her?" questioned her mother. "Twice a day; once in the morning and once at night."

When the happy family got home Rylee and her brother and sister helped put feed in her feeder, hay in her hay bunk, water in her watering bowl, straw in her house, and of course it can't be a goat's pen without a goat. Every morning the little girl would get up and feed Danny before going down the driveway to wait for the bus. One day when Rylee was walking her goat for the first time in the middle of the day and the goat got so hot that she just fell over on the ground.

Rylee was scared and upset because the goat wouldn't walk for her. Her mom assured her that everything was okay and that it was just because she didn't want to walk.

Over summer break Rylee worked more with her goat, they both became better friends and the goat never fell over again.

One day only one week away from the fair Rylee went to feed Danny and the goat was so fat that she got stuck in between Rylee's legs. Getting stuck scared the goat so she started running around the pen with a 90 pound person on her back until finally Rylee let go. Danny then trotted happily to her water, got a drink and then ran over to her food like nothing ever happened.

That evening Rylee and her mother took Danny to go get her hair trimmed by her mom's friend. A week later Rylee took Danny to the fair. Every day Rylee would go to the fair to feed, water, and clean Danny's pen. One day during the fair, Rylee had to be there early. She had to be at the pens at 8:00 a.m. to give her goat a bath so that Danny could look her best for the shows.

This wasn't their first time showing. Rylee had taken Danny to other shows with her friends so that when the judges recommended what needed to be done to make her goats look better she could use that advice for the fair.

"It's time for your show

girls." Rylee's mother said.

"I know! It's all I've been thinking about all day!" replied Rylee.

Rylee was nervous when she got into the show ring. Then the judge went to announce the winner for the showmanship category.

"I'm going to say what puts this goat above all the rest is the showman's eye contact, and how she put her goat's feet down and how she did it quickly." the judge continued, "I want to congratulate this young lady in the blue" he said as he pointed to Rylee.

Rylee felt amazed and knew that all of her hard work had finally paid off. Rylee remembered that the people that she talked with before she showed Danny had told her to go to the booth before leaving to get her prize if she got grand champion for any of her shows. When she got finished she went out and walked up to the booth with her dad.

"Congratulations Rylee!" said the lady at the booth as she handed Rylee a big black box. When Rylee was opening her box her best friend named Lydia came running up to her and gave her a high five.

"What's it look like?" Lydia asked. "I don't know yet. I haven't opened it yet." Rylee said. "Well then what are you waiting for!" Lydia said excitedly.

When Rylee opened the box there was a shiny rose gold belt buckle with a goat on it.

"Wow!" both girls said in awe.

"That's way better than the belt buckles that Coffey County gave away." Said Lydia as she pointed at her Coffey County belt buckle. In another hour Rylee would have to show again. Because Danny's legs were wet when she went into the show ring her legs were clumped with sand on them.

"Let's give her a bath before the next show so that we can get the dirt off of her legs." Rylee's mother suggested.

"You better hurry." her father said "your next show is in an hour. And make sure you get her legs dry before you go into the ring." He added.

Rylee rushed into the ring as her show started an hour later. She was nervous when the judge went to announce the winner. Sadly she didn't win; but, she did get third in the meat goat category.

"Good job kiddo!" her dad said as she walked out of the show ring.

"You did really well considering your goat is a girl." her mother said as they sat down to watch the next goat show after getting popcorn, lemonade, and putting Danny in her pen.

"You know that you'll have to sell your goat on Friday night, right." her mother reminded her.

"It's going to be tough but yeah." Rylee said realizing that it was Wednesday.

The next day Rylee had to show her bucket calf named Fern and chickens. She didn't win any awards for her chickens, but got reserved grand champion in the bucket calf category and did not place in the showmanship category.

On Friday Rylee and her

The Boy from a Different Universe

By Alecia Gonzalez
6th Grade, Crest
Mr. Zimmerman
Honorable Mention

There was a girl who was reading a book on the fountain in her town. She all of a sudden felt a little tap on her shoulder. She turned around and saw a boy, but something was different about him. His eyes were bright and mysterious. They were as light of a blue as the sky. He said he had something to show her. He grabbed her hand and took her deep in a mysterious forest.

She saw a garden with a fountain surrounded by all different kinds of flowers. He told her to

jump in the fountain. She was skeptical at first but she jumped in anyway. When she opened her eyes she knew she wasn't home anymore. She saw the boy and asked where they were. The boy said "You're in my world now... I saw that you looked sad and I wanted to cheer you up." The girl and the boy played for hours until it was time for her to go.

They said goodbye, but the girl had one last question. "Will I ever see you again?" The boy answered back. "Well it's up to the universe to decide. It brought me here in the first place." The girl gave him one last hug and said. "I hope to see you again."

The Country Gift

By Kathy Yoder
6th Grade, Westphalia
Ms. Winter
Honorable Mention

The horses ran across the grass covered field. Katie watched from the fence. Katie was 10 years old and only wanted one thing in the whole world: a horse of her own. Katie had lived in the city almost all her life. Katie didn't mind the noise in the city because Katie was deaf. She communicated with her family through sign language. An old man with grey hair came up behind Katie and tapped Katie on the shoulder. Katie turned around. The man signed to Katie "Dinner is ready." Katie signed back "Okay Grandpa." The 2 ran inside. Katie came to stay with her grandparents during the summer on their ranch. As they came into the kitchen they smelled pumpkin pie. The family of three sat down to eat. After dinner Katie cleared the table and got ready for bed. The next morning Katie took her favorite horse (Sundance) out for a trail ride. When Katie got back from her wonderful ride she found her parents sitting inside eating the

leftover pie from the night before. Katie felt sad while she untacked Sundance. When Katie came inside she told her parents "Hi," and went to her room to pack. She told her grandparents "See you next summer." Katie and her parents walked to the car. They drove back to the city and entered their apartment. It was small and cramped. Katie liked the country where she could run around and not worry about cars. Katie went to her room and stayed there till the next morning. Katie woke up and went into the kitchen for breakfast. "Katie, I have a surprise for you. Get into the car and I'll show you." Katie's mom signed. Katie ran down to the car and got inside. An hour later they arrived at their grandparents house. There by the house was her grandpa with a foal. "She's yours," her mom signed. Katie ran out of the car and hugged her grandpa. "Thank you!" she kept signing. "I'll name her Tanya." Katie told everyone. Katie hugged her foal. Every summer after Katie spent all her free time training and loving Tanya. 10 years later Tanya died but whenever Katie sees a horse it reminds her of her beloved foal. The end.

My 3.5 wishes

By Alecia Gonzalez
6th Grade, Crest
Mr. Zimmerman
Honorable Mention

If I had 3 wishes, I would first wish for an infinite amount of money. Because then I can buy anything in the world and I could buy as much stuff as I want. My 2nd wish would be to make myself immortal.

If I was immortal, I could do whatever I want at any time. Also I could live for 500 years. And my 3rd wish would be teleportation. Because I could go anywhere at any time of the day. And with an infinite amount of money, teleportation, and immortality would be unstoppable together. If I had a fourth wish or a bonus wish, I would wish for the winning story.

Centuries of Hope

By Kathy Yoder
6th Grade, Westphalia
Ms. Winter
Honorable Mention

For centuries our ancestors have lived through tornadoes, migration, World War II and many more. We should always be like our ancestors. They had hope during all these events. We

can have hope during this event. I once heard a wise man say "Fear is the key to confusion." The grass is always greener on the other side. We will get to the other side of this Covid 19. There is one good thing about Covid, you can spend more time with family. We must have hope just like our ancestors' centuries of hope before us.

THE UNITED STATES

ONE DOLLAR

Serving the Area Since 1899

GSSSB

Goppert State Service Bank

Garnett • Colony • Helper • Ottawa • St. Paul • Walnut

GSSSB P.O. Box 329 Garnett KS 66032

(785) 448-3111

Demi Miller • Sixth Grade • Central Plains • Mrs. Kauffman

Do it Best

Garnett Homecenter and Rental (785) 448-7106

Mon-Fri: 8:00am - 5:00pm, Sat 8:00AM - 4:00 PM Sun Closed

410 N. Maple Garnett

- Tools
- Hardware
- gift area
- garden center
- Equipment
- rentals
- Building Supplies

Rayna Kuhlman • Sixth Grade • St. Rose • Mrs. Rockers

1st

QSI

Quality Structures Incorporated

(800) 374-6988

167 Highway 59

Wyatt Whitham • 6th Grade • St. Rose • Mrs. Rockers

ROR

Farm Equipment Sales

(785) 867-2600

Wyatt Whitham • 6th Grade • St. Rose • Mrs. Rockers

RICHARD J. HALL

Making Dental Care Simple

519 S. Maple Garnett

(785) 242-1800

Demi Miller • Sixth Grade • Central Plains • Mrs. Kauffman

BLUESTEM

FARM & RANCH SUPPLY

2611 West HWY 50 Emporia

Mon.-Fri. 7AM - 6PM Sat. 7am - 5:30pm

(620) 342-5502 (800) 800-7855

FARM & RANCH SUPPLY

2nd

Demi Miller • 6th Grade • Central Plains • Mrs. Kauffman



Need a place to *hang your hat*? Check out our Real Estate Classifieds!

It's **EASY** to place your ad! • (785) 448-3121 • (800) 683-4505 • admin@garnett-ks.com

Rates
Up to 20 Words.....\$4.95
Each add'l word.....55¢
(Commercial.....65¢)

BONUS: Add \$2 for 10,000 additional households in Lawrence/Douglas County in *The Trading Post*.

Display Ads, per column inch.....\$9.54
Statewide placement available, Call for details.

Terms
• Cash in advance
• Visa, Mastercard, Discover
• Credit to established accounts

Deadline
Classified Ads: 10am Friday
Display Ads: Noon Thursday

Call or send in your ad:
(785) 448-3121
(800) 683-4505 (out of area)
FAX: (785) 448-6253
EMAIL: admin@garnett-ks.com

Mail:
Garnett Publishing, Inc.
P.O. Box 409
Garnett, KS 66032

FOR RENT

2 bedroom duplex - very clean. Central heat, carport. Lawn care provided. \$575/month. (785) 418-5435. fb2tf

REAL ESTATE

Property Source, LLC
913-884-4500
YOUR SOURCE FOR GREAT INVESTMENTS!
LAND-FARMS Investment Property RESIDENTIAL

Chris Cygan
785-418-5435

Benjamin Realty
Sherry Benjamin, Broker
Land • Homes • Commercial

201 N. Maple
Garnett, KS 66032
benjaminrealty@earthlink.net

Office: (785) 448-2550
Home: (785) 241-0532
Cell: (785) 304-2029

View all local properties for sale at our website:
www.KsPropertyPlace.com

Now offering
Auction Services!

Call (785) 448-3999

Conservation Tree Sales
Kansas Forest Service

Order now through May 1st. Shipping will begin mid-March.

Bare-Root Seedlings \$30 per Unit of 25

Order online at kansasforests.org or call 1-888-740-8733

"Care of Natural Resources and Service to People Through Forestry"

Guest Home Estates

is looking for full-time CMA's, shift varies, who are wanting to work with our team. We offer Health Insurance and Competitive Wages. If you are interested in this position, please contact Sandra Johnson at 785-448-6884 or come by our home at 806 West 4th, Garnett. We are excited to meet with you.

Part-time, Park & Cemetery

The City of Garnett is seeking a permanent part-time Park and Cemetery Maintenance Worker. Work is seasonal, from March until October, not to exceed 999 hours annually. Duties include manual labor assisting the Parks Department in maintenance of city parks, ball fields, lakes, cemetery, city properties, as well as nuisance properties and other related duties. Skills required include the ability to operate lawn mowers, tractors, weed eaters, chain saws, brush cutters, and gravesite preparation. For a complete job description and application, stop by City Hall, 131 W. 5th Avenue, Garnett, or apply online at simplygarnett.com. Pay is based on qualifications, \$8.00-12.00/hr. The position will remain open until filled. EOE.

REAL ESTATE

GOLD KEY REALTY

Carla Walter • Owner/Broker
785-448-7658 (cell)
www.goldkeyrealtyks.com

MISCELLANEOUS

Bath and shower updates in as little as one day! Affordable prices - No payments for 18 months! Lifetime warranty & professional installs. Senior & Military Discounts available. Call: 844-980-0025

Are you behind \$10k or more on your taxes? Stop wage & bank levies, liens & audits, unfiled tax returns, payroll issues, & resolve tax debt fast. Call 855-462-2769

Donate your car to charity. Receive maximum value of write off for your taxes. Running or not! All conditions accepted. Free pickup. Call for details. 844-268-9386

Lowest Prices on Health Insurance. We have the best rates from top companies! Call Now! 855-656-6792.

Attention Medicare Recipients! Save your money on your Medicare supplement plan. Free quotes from top providers. Excellent coverage. Call for a no obligation quote to see how much you can save! 855-587-1299

Best Satellite TV with 2 Year Price Guarantee! \$59.99/mo with 190 channels and 3 months free premium movie channels! Free next day installation! Call 316-223-4415

Get A-Rated Dental Insurance starting at around \$1 PER DAY! Save 25% on Enrollment Now! No Waiting Periods. 200k+ Providers Nationwide. Everyone is Accepted! Call 785-329-9747 (M-F 9-5 ET)

Bathroom Renovations. Easy, one day updates! We specialize in safe bathing. Grab bars, no slip flooring & seated showers. Call for a free in-home consultation: 855-382-1221

MISCELLANEOUS

Medical Billing & Coding Training. New Students Only. Call & Press 1. 100% online courses. Financial Aid Available for those who qualify. Call 888-918-9985

Recently diagnosed with lung cancer and 60+ years old? Call now! You and your family may be entitled to a significant cash award. Call 866-327-2721 today. **Free Consultation. No Risk.**

New authors wanted! Page Publishing will help you self-publish your own book. Free author submission kit! Limited offer! Why wait? Call now: 855-939-2090

Sutton Valley Dog Boarding
a dog retreat

• Pampering dog boarding
• Doggie daycare
• Dog grooming

Open 24/7 by appointment

Call (785) 521-5858

29167 NE Wilson Road
GREELEY, KS
(OFF 2000 ROAD)
Suttonvalleydogboarding.com

472 lot Coin Auction
Saturday, Feb. 27th 10 am
Preview day of 8:30-10 am
1st Church of the Nazarene: 2931 W. 24th
Emporia, KS

20 lots of Gold, Lots of Silver, Morgans, Peace, Mints, Books, more! Our website has pictures. Go to our website or call to get your list! For Full List, Visit Website or Call

Victor Edelman Broker/Auctioneer
Hope Edelman Owner/RE Agent
hope@swiftsureauctions.com
www.swiftsureauctions.com
620-366-0729

JB Construction

Decks • Siding
Pole Buildings • Garages

Joe Borntreger
(785) 448-8803 • joe.borntreger@yahoo.com

HELP WANTED | **AGChoice**

Ag Choice Moran/Blue Mound, Kansas is a retail fertilizer, feed, seed and custom application business located in Southeast Kansas.

We have an employment opportunity for a motivated individual. Duties include general labor, some custom application, and all activities associated with day-to-day operations. CDL or ability to get one a must. Seasonal long hours can be expected. Safety is a priority. Excellent benefit package including health insurance, 401K, retirement, safety bonuses, and profitability bonuses included.

Call 620-237-4668

Gates Corporation
1450 Montana Road
Iola, KS
Maintenance Positions Open

All plant maintenance functions including electrical, mechanical, plumbing, heating, welding and air conditioning. Candidate must have the ability to read blue prints and diagrams along with knowledge of and ability to work with 3 phase industrial wiring. Strong mechanical aptitude and ability to work well with others.

Apply at Gates.com
Applications will be taken weekdays 7 a.m. to 3 p.m. A 2 year associate degree in engineering technology is desired or equivalent work experience. Pre-employment background checks, physical ability testing and drug screen required. Benefits available. Equal Opportunity Employer

SERVICES

Rytter Hardwood Floors
MASTER CARPENTER
Install, sand & finish, old & new.
(913) 594-2495

Mundell Outdoors, LLC
Driveway Repair • Custom Hauling
Pasture Clearing • Excavation •
Gradework • Gravel • Top Soil
(785) 448-8186
Call for a quote.

Johnathan Edgecomb • (785) 448-3899
In Business Since 1997

EDGECOMB FLOORING
SALES & INSTALLATION
FREE in-home consultation with our MOBILE SHOWROOM!

SAVE 40% off regular retail pricing on name brand flooring

Check out our Monthly Specials

CARPET • TILE • VINYL
HARDWOODS • LAMINATE

SERVICES

American Walnut - buying standing timber. Must have 25 or more trees. Call (916) 232-6781 in St. Joseph for details. mc10tfn

WANTED

Buying - old sports cards (pre 1987) call (620-757-0901. fb16t4*

LIVESTOCK

Laying hens and roosters for sale. (785) 448-4153. fb9t2*

NOTICES

Alcohol Anonymous meetings. Tuesdays and Thursdays, 7 p.m. 510 S. Oak, Garnett. (785) 241-0586. tfn

Taking Consignments. New Strawn Consignment Auction, Saturday, March 20. Richard Newkirk (620) 203-0065, Darwin Kurtz (785) 448-4152 or Laverne Yoder (785) 204-2700. fb9t3

HAPPY ADS

Happiness is... celebrating your wedding anniversary with a FREE announcement and photo in the Review. Go to www.garnett-ks.com and click the form under "Submit News." Available FREE 24 hours/day! mc1tf

Happiness is... Having the Review's EagleEye News Drone do aerial photography or videography for your wedding, special event, property survey, promotional video, high-altitude equipment or building inspection, etc. Real-time view from up to 400 feet elevation, up to nearly 1 mile range. Contact the Anderson County Review at (785) 448-3121 for more info. oc11tfn

Happiness is... subscribing to the Anderson County Review! Call (785) 448-3121. my19tf

Happiness is... Breakfast at the VFW 9am-1pm, Sunday, February 21. Biscuits and gravy, Belgian waffles, bacon, sausage and eggs. fb16t1

Make it grow!

Your wallet that is. Ag products and services sell when they're listed here. Call the Review today to place your ad. (785) 448-3121

PRECISION
FOAM INSULATION

Spray Foam Insulation *and more*

- Closed and Open Cell Insulation
- Attic Blown Fiberglass Insulation
- Batt Insulation
- Licensed and Insured

JD Yutzey
785-448-8727

Call today for all your insulation needs
Quality and customer satisfaction is #1

Edgecomb Builders
General Contractor

Custom Homes
Additions
Finishing Trimwork
Remodels

Lonnie Edgecomb (785) 204-1580

Summertime Youth Concession Stand Worker

The City of Garnett is seeking Summertime Youth Concession Stand Workers. Work is between 12 - 20 hours per week.

The concession stand worker is responsible for operating a safe, friendly, and properly stocked concession stand. For a complete job description and application, stop by City Hall, 131 W. 5th Avenue, Garnett. The position will remain open until filled. EOE.

LIFEGUARD

The City of Garnett is seeking Lifeguards. The Lifeguard oversees the safety of members and program participants of the pool areas as well as responsible for informing and serving activity center members and volunteers in a premier fashion.

Lifeguards are expected to emphasize member service, character development, the mission statement, and work with membership retention and promotion. As a lifeguard you may also be asked to help with the instruction of swim lessons.

Must be 15 by end of certification. Applicants must pass a lifeguard certification course to be eligible for employment. Applications are due by March 3rd. The position will remain open until filled. EOE.

Zentner's 90th Birthday



THE ANDERSON COUNTY REVIEW 2-16-2021 / SUBMITTED

Jeanine Zentner had her 90th birthday on February 13, 2021. Please send cards to her at 20922 NW Hwy 31, Garnett, KS 66032.

Spring named to Deans' List at Univ. of Nebraska



Spring

LINCOLN, NE - Lillian Grace Spring of Garnett has been named to the Deans' List at the University of Nebraska-Lincoln for the fall semester of the 2020-21 academic year.

Spring, a freshman majoring in journalism and broadcasting, was named to the Dean's List for the College of Journalism and Mass Communications.

Nearly 6,800 students at Nebraska have been named to the Deans' List for the fall semester.

DANNY...

FROM PAGE 6B

dad went to the fairgrounds at 7:30 in the morning so that she and her dad could clean pens and they had to take Fern, the chickens, and crafts that she had shown back to the farm.

"Everyone and everything is going home today except for Danny." Rylee's father reminded her as they were loading Fern into the trailer. Once they got everything loaded into the trailer Dad went home and unloaded the animals when he came back and told Rylee that he was going to go get lunch at the sandwich shop while she helped set up for the auction. When Dad returned to the fairgrounds the two sat down and ate lunch.

"Why don't we go home right after you clean the goat's pen. You could use a shower. You smell like a pig just pooped all over you." Dad joked. "I have to go run some errands just call when you're ready for me to pick you up."

"Okay I will do that." Rylee said as her father walked to the truck and drove away.

Just as she started to get Danny out of the pen Lydia walked up to her. "Ya need help?" she asked. "Sure. Can you go get me the wheelbarrow while I tie her up over there?" Rylee asked.

"You got it boss." Lydia said as she did a military salute.

When the girls got done Rylee called her dad and told him that she was ready for him to pick her up. When they got home Rylee went straight upstairs and got in the shower. When she went to her bedroom to get dressed to her surprise her mom had set clothes out for her to wear to the auction along with a pair of boots and

a goat necklace.

When everyone was ready the family went to the fairgrounds to get Danny ready for the auction first they tied her up in the wash bin they then washed her body after that Rylee took her to the drying table and got the blow dryer and dried Danny off with it.

"You're showman number 198." Rylee's dad said as he put her number holder on her vest.

"What number are they on?" Rylee asked.

"190," her dad said in reply. Within the next 5 minutes Rylee was in the ring "Sold to Richmond Body Works, Valley R, Bryan Miller, and Deana Hermreck for \$700" said the man auctioning off the animals.

When Rylee walked out with Danny it hit her hard

knowing that she wouldnt ever see her goat again after tonight she started to cry as she put her goat into the pen with all the other goats. Day after day Rylee mourned about the loss of her friend; luckily her friends were there to comfort her.

One day Rylee found out that she was going to get two goats for the next fair season. She was really excited on the way home from basketball practice on a rainy January night her mother had said. "Did I tell you that we are getting goats next month?"

"No." Rylee said in reply. "What are you going to name them?" her father asked.

Rylee had been thinking about this a long time and excitedly she said, "James is what I shall name the boy, and Jade is what I shall name the girl!"

good shepherd HOSPICE

YOUR HOMETOWN HOSPICE PROVIDER

(785) 448-6590 427 S. Oak, Garnett, KS 66032

PROFESSIONAL TAX PREPARATION

www.taxtimetaxserviceinc.com

Enrolled Agent
Representing Clients Before:
IRS Exam Division
IRS Collection Division
IRS Appeals Division

TAX-TIME TAX SERVICE, INC.
785-448-3056 • 415 S. Oak, Garnett

TAX DEBTS • TAX PROBLEMS

- Unfiled Returns
- Offers in Compromise
- Liens & Levies
- Innocent Spouse Relief
- Audit Reconsiderations
- Payroll Tax Problems

AAA Kansas Roadside Assistance calls see dramatic increase last week

The extreme Arctic temperatures and winter weather conditions have wreaked havoc on vehicles in the past week. AAA Kansas reports that its emergency roadside assistance towing and battery service crews responded to 1,313 rescue calls during the week of Feb. 8-14, a 101% increase from the week of Feb. 1-7.

Of those 1,313 service calls, 999, or 76% were for dead car batteries or other cold weather engine failures that required the vehicle to be towed.

While routine maintenance is the best protection against breakdowns that could leave drivers, and their passengers stranded, it may have been overlooked by drivers, as many vehicles have sat idle more than normal, amid the COVID-19 pandemic. Even with fewer miles driven, preventative maintenance check-ups are still important.

Aside from routine maintenance, AAA automotive experts recommend drivers pay special attention to these key vehicle components:

Batteries

Starting an engine in cold temperatures can take up to twice as much current as needed under normal conditions. Calls for dead batteries in particular have been higher than usual because more vehicles are sitting idle more often because of COVID-19.

•The average battery lasts 3-5 years.

•Even at 32 degrees, a battery is 35 percent weaker.

•At zero degrees, a car's battery loses about 60 percent of its strength, yet the engine needs about twice as much power to start.

•A battery's life can be drained faster if devices are plugged into cars (cell phone chargers, upgraded audio and GPS devices)

•Have the battery and charging system tested by a trained technician.

•Make sure the battery terminals and cable ends are free from corrosion and the connections are tight.

Tires

Air expands when it is heated and contracts when it is cooled. As the air temperature drops outside, so does the air pressure in your tires. Why is this important? Maintaining proper tire inflation is essential for safe driving. For every 10-degree drop in air temperature, a tire's pressure will fall by about 1-2 PSI (pounds per square inch).

How to Check Your Tires

•Check tire pressure. Colder weather can require adding air to tires. Make sure pressure levels match those found in either the owner's manual or on the driver's door jamb, and note that pressure levels may be different for front and rear tires.

•Check tire tread. Test tread depth with a quarter. Insert the quarter with the top of Washington's head into the tread. If all of his head can be seen, it is time for new tires.

•Check for a spare tire. Motorists should know whether their vehicle comes with a spare tire (many newer cars do not). This helps AAA know whether to send a light service vehicle (to put on the spare) or a tow truck for a vehicle without a spare.

Fluids

With subzero temperatures expected, it's critical that drivers take time to ensure proper vehicle fluids are being used, levels are correct and they are rated for the weather conditions.

•Antifreeze/Coolant: engine antifreeze/coolant performs a vital job when the temperature drops. It lowers the freezing point of the cooling system in winter. Failing to ensure coolant levels can handle the extremely cold temperatures could result in serious and expensive damage to the vehicle's engine. AAA Car Care

experts recommend that coolant protection be at 30 below zero.

•Washer Fluid: Fill the windshield washer fluid reservoir with a winter-blend cleaning solution to prevent it from freezing and avoid damage to the windshield washer system.

Safety

Whether you have a long commute to work or just need to drive a short distance to the store, preparation is key to making the trip safely. For more information on ways to prepare your vehicle for the winter weather visit 5 Ways to Prepare Your Vehicle for Winter Weather Travels.

Emergency Road Kit

According to AAA Kansas' Steward, now is also a great time to make sure you have an emergency kit equipped for winter weather to carry in your vehicle. This kit is especially important if when temperatures are dangerously low and you may have to wait awhile until help can arrive. The kit should include:

- Mobile phone pre-programmed with rescue apps and important phone numbers including family and emergency services, and car charger
- Drinking water
- First-aid kit
- Non-perishable snacks for both human and pet passengers
- Bag of abrasive material (sand, salt, cat litter) or traction mats
- Snow shovel
- Blanket or sleeping bag
- Extra warm clothing (coat, gloves, hats, scarves)
- Snow boots
- Flashlight with extra batteries
- Window washer solvent - winter formulation with antifreeze components
- Ice scraper with brush
- Cloth or roll of paper towels
- Jumper cables
- Warning devices (flares or reflective triangles)
- Basic toolkit (screwdrivers, pliers, adjustable wrench)

Health Services DIRECTORY

Family Care

Pheasant Ridge Family Medicine
(785) 448-6988

Ross Kimball, M.D.
Sarah Nuessen, P.A.
312 S. MAPLE • GARNETT

Hospice

good shepherd HOSPICE

YOUR HOMETOWN HOSPICE PROVIDER

(785) 448-6590
427 S. Oak
Garnett

Chiropractic

Chronic Back or Neck Pain?

Ask how the Triton Decompression-Traction Therapy can help. A non-surgical approach for chronic sufferers.

WILSON CHIROPRACTIC CLINIC
Lynn A. Wilson, D.C., P.A.
Keeping Your Back In Action

Treatment For Your Back & Joint Pain
Sports, Auto, and Work Injury Care

414 W. First • Garnett
(785) 448-6151

M-T-W-F 8-5 SAT 8-10 After Hours By Appt.

Eye Care

Walmart Vision Center

Ottawa, Kansas

Call (785) 242-3116 to schedule your exam.

Pharmacy

Maple & Hwy. 31 MON-FRI 8:30am-7pm
Garnett, KS SAT 8:30am-2pm
Next to Country Mart

AUBURN PHARMACY

We accept all Medicare drug plans.
(785) 448-6122

Call (785) 448-5711 - text (785) 204-1382

Dutch Country Cafe

Restaurant • Coffee Shop • Bakery • Banquets
309 N. Maple • Garnett • Mon-Sat 6AM-2:30 PM

Traditional Pennsylvania Dutch Cooking

Daily Lunch Specials:

- Monday:** Taco Salad
- Tuesday:** Dutch Country Cheese Steak
- Wednesday:** Hot Beef Sandwich
- Thursday:** Fried Chicken
- Friday:** Meatloaf
- Saturday:** Chicken Fried Steak

Weekly Baked Goods Special:

Fresh-Made Fried Pies (Cherry, apple, peach, raspberry)

Mention this ad for 10% off!

Visit Miami County!

These Miami County businesses appreciate your patronage and encourage you to visit your local merchants in Miami County!

THE TRADING POST
25,000 customers read us EVERY WEEK just for your ads!
(785) 842-6440 • (800) 683-4505
ads@tradingpostdeals.com

PARK PLAZA LIQUOR
Our wine selection is unsurpassed!
1403 Baptiste Dr. M-Sat 9am-11pm
PAOLA • 913-557-5600 Sun Noon-8pm

To advertise your business here contact Stacey at (785) 448-3121.

MIDWEST COLLISION INC.
Family service from one of America's most innovative dealerships ASE
31570 Old KC Rd. • PAOLA • (913) 294-4016